

# Evolution

## pass through

### DISHWASHERS



## Evolution 2135 ws

### Maidaid Evolution 2135 WS Features

- **2 year warranty**
- Polychromatic LCD display and user interface giving uncomplicated machine status updates



- Four button control fascia with special programmes button, operational self-diagnostics & alarms menu
- Quick release parallel wash & rinse arm design
- Stainless steel scrap tray filters supplied as standard
- Tripple wash tank filtration system
- Internal continuous water softener as standard
- Drain pump and breaktank as standard
- Three standard cycle time options with a range of extensive special cycles
- Cycle times can be tailored to site requirements
- Comprehensive automatic self cleaning at end of service
- Selectable energy saving mode
- Selectable thermostop ensures optimum rinse temperatures
- Full double skinned body & hood minimising both acoustic output and reduced heat loss
- Easy lift super glide hood system
- Patented dual flow wash pump - reducing power whilst retaining wash efficiency
- Moulded wash tank for easy cleaning
- Accurate detergent & rinse aid dosing pumps as standard



**EVOLUTION 2135 WS**  
(shown with tabling – not included)

Supplied with one pegged (capable of holding 18 10" plates), one open rack (capable of holding 25 pint glasses) and cutlery insert.

Additional racks can be purchased at point of order: **Z972001** & **Z972003**



For additional information contact our Sales Team on

T: **0345 130 8070** E: **sales@maidaid-halcyon.co.uk** or visit **www.maidaid.co.uk**

# Evolution

## pass through

### DISHWASHERS



## Evolution 2135 ws



**EVOLUTION 2135 WS**  
(shown with tableting – not included)

### Technical Data

Dimensions (W x D x H)	mm	640 x 755 x 1370 + Feet
Feet height	mm	165-225
Rack size	mm	500 x 500
Maximum useable height	mm	440
Door opening	mm	460
Theoretical productivity	Racks/h	51
Effective productivity	Racks/h	36*

Wash tank element	kW	2.5
Boiler element	kW	6
Wash pump	kW	0.7
Tank capacity	L	22
Noise emission	dB	≤ 65

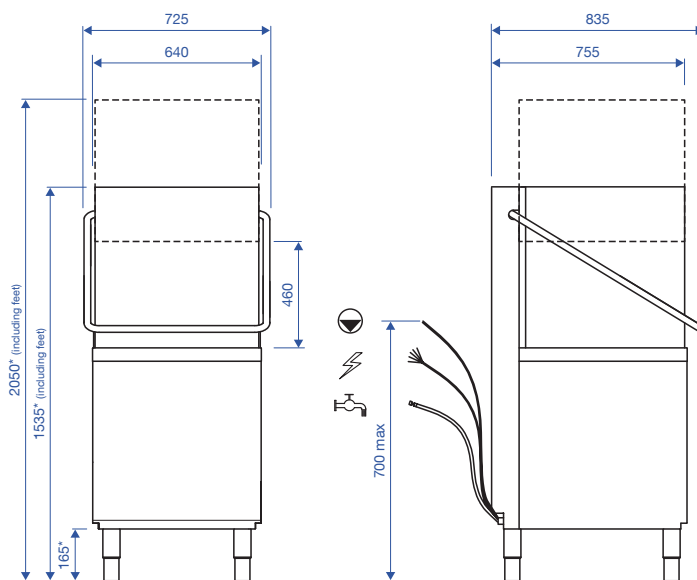
\*Allowing 30 seconds for reloading  
Cycle times may vary depending on local conditions/services

### Packaging Specs

Gross weight	Kg	120
Cubic volume	m <sup>3</sup>	1.02
Dim. (W x D x H)	mm	870 x 760 x 1540

### Installation Diagram –

All services must be within 1 meter



\*Height-adjustable feet + 60mm

- Pumped waste into upstand, maximum height 700mm
- Power
- Water supply 2 – 4 bar

### Power Supply

Installed power	AMP	kW
230V – 50Hz – 1N	20	4.7
	30*	6.7
Optional 3 Phase config	Total load 6.7kW	
Fused	16 amp	

\*Standard configuration

### Water Connection

Inlet water pressure	Bar	2 to 4
Flow rate L/Min	L/Min	6
Water inlet temp	°C	10 to 50
Water connection	BSP	¾"
Waste connection	Ø	Int 29/ext 34

### Cycle Information

Number of standard cycles	3	
Standard cycles times	Sec	70/90/180
Special cycle	ProSan, ProEco, ProNew, ProLong, ProGlass, ProActive, ProSteel	
Self-cleaning cycle	Full self clean	
Water consumption per cycle	L	2
Wash temperature	°C	60 – adjustable
Rinse temperature	°C	82 – adjustable

For additional information contact our Sales Team on

T: 0345 130 8070 E: sales@maidaid-halcyon.co.uk or visit [www.maidaid.co.uk](http://www.maidaid.co.uk)