

AMH350

2.75kW 13A
1 Phase



Buttress Group Ltd.
Top Station Road, Brackley,
Northants NN13 7UG, UK



	Overall dimensions (W x D x H)	mm	401 x 490 x 595 (inc. feet)
	Packaging dimensions (W x D x H)	mm	470 x 590 x 750
↙ ↘	Gross weight	kg	31
	Net weight	kg	27
	Cubic Volume	m ³	0.25
	Rack size (W x D x H)	mm	350 x 350 x 120
📏	Door opening	mm	260
	Max useable height	mm	240
	Rack guide rails		flat
	Body construction		single skin
	Tank construction		welded - stamped base
🧴	Tank volume	L	7
	Tank heating element	kW	1.4
	Surface scrap trays		composite (2.5mm mesh)
🧴	Wash arms		parallel (quick release)
	Wash pump type		single flow
	Wash pump power	kW	0.15
	Pre-set wash temperatures	°C	60-65 (fully adjustable)
🔥	Boiler type		pressurised
	Boiler volume	L	2.6
	Breaktank		no
	Boiler heating element	kW	2.6
🧴	Rinse booster pump		no
	Rinse booster pump power	kW	n/a
	Pre-set rinse temperatures	°C	65-80 (fully adjustable)
	Rinse arms		parallel (quick release)
🚰	Drain system		partial drain
	Drain filter		double filter
	Drain pump		yes
💧	Rinse aid dispenser	peristaltic	yes
	Detergent dispenser	peristaltic	yes
🔗	Water softener		no
	Water consumption per cycle	L	2.0
🚰	Inlet water pressure	bar	2.0-4.0
	Inlet water temperature	°C	10-50
	Total programs	programs	5
	Total power	kW	2.75
⚡	Fuse	A	13 (moulded plug)
	Electric connection (as supplied)	V-PH-HZ	230-240V 1N 50Hz
	Configurable to		n/a

Programs

	#	Time (s)	Temp °C Wash/rinse
P button (standard)	GLS1	90	65 / 65
	GLS2	75	60 / 70
	dr	variable	n/a
	CLE1	300	n/a
SP button (special)	CuP1	100	65 / 80

Supplied with

(Standard configuration)

Flat rack	2
Electric cable	1
Drain hose	1
Fill hose	1
Feet	4

T: 03451 308 070

E: sales@maidaid-halcyon.co.uk

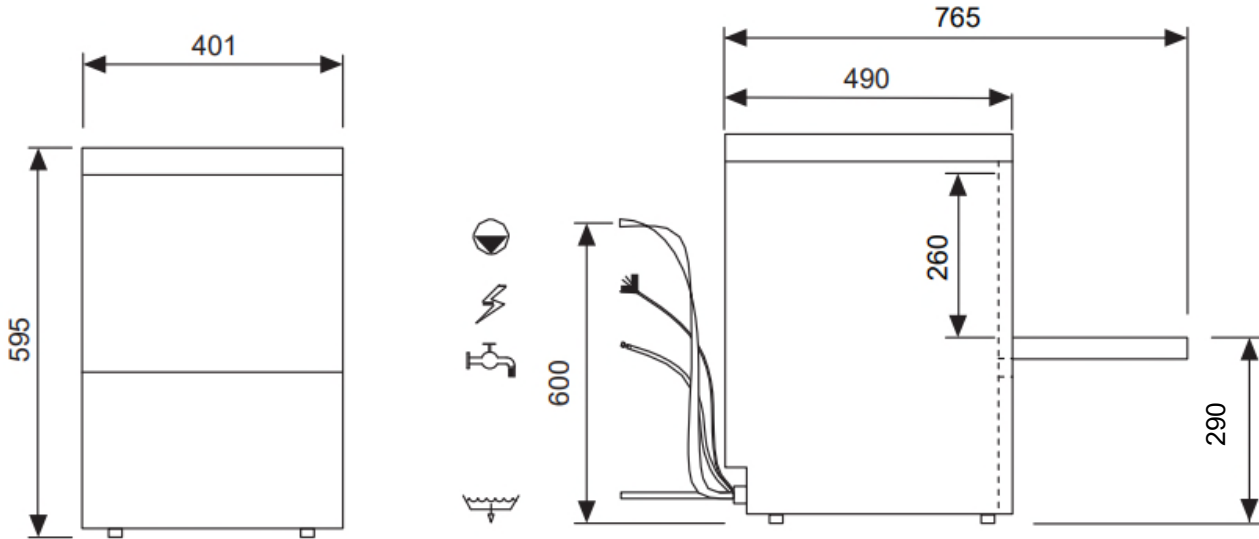
Issue: 2.0 09/03/26

AMH350

2.75kW 13A
1 Phase



Buttress Group Ltd.
Top Station Road, Brackley,
Northants NN13 7UG, UK



Feet adjustable +10mm. All services must be within 1 metre.