

# AMH500

## 6.5kW 16A 3 Phase



**Buttress Group Ltd.**  
Top Station Road, Brackley,  
Northants NN13 7UG, UK



↗ ↘	Overall dimensions (W x D x H)	mm	<b>575 x 605 x 820</b> (inc. feet)
	Packaging dimensions (W x D x H)	mm	<b>670 x 690 x 980</b>
	Gross weight	kg	<b>60</b>
	Net weight	kg	<b>54</b>
	Cubic Volume	m <sup>3</sup>	<b>0.45</b>
📏	Rack size (W x D x H)	mm	<b>500 x 500 x 100</b>
	Door opening	mm	<b>365</b>
	Max useable height	mm	<b>340</b>
	Rack guide rails		<b>flat</b>
🔧	Body construction		<b>single skin</b>
	Tank construction		<b>welded - stamped base</b>
	Tank volume	L	<b>20</b>
	Tank heating element	kW	<b>2.0</b>
	Surface scrap trays		<b>composite (2.5mm mesh)</b>
	Wash arms (with cleaning port)		<b>parallel (quick release)</b>
	Wash pump type		<b>dual flow</b>
🌡️	Wash pump power	kW	<b>0.47</b>
	Pre-set wash temperatures	°C	<b>60</b> (fully adjustable)
	Boiler type		<b>pressurised</b>
🔧	Boiler volume	L	<b>6.0</b>
	Breaktank		<b>no</b>
	Boiler heating element	kW	<b>6.0</b>
🌡️	Rinse booster pump		<b>no</b>
	Rinse booster pump power	kW	<b>n/a</b>
	Pre-set rinse temperatures	°C	<b>70-82</b> (fully adjustable)
	Rinse arms (with cleaning port)		<b>parallel (quick release)</b>
🚰	Drain system		<b>partial drain</b>
	Drain filter		<b>double filter</b>
	Drain pump		<b>yes</b>
💧	Rinse aid dispenser	peristaltic	<b>yes</b>
	Detergent dispenser	peristaltic	<b>yes</b>
🔗	Water softener		<b>no</b>
🔧	Water consumption per cycle	L	<b>1.5-2.0</b>
	Inlet water pressure	bar	<b>2.0-4.0</b>
	Inlet water temperature	°C	<b>10-50</b>
⚡	Total programs	programs	<b>5</b>
	Total power	kW	<b>6.5</b>
⚡	Fuse	A	<b>16</b>
	Electric connection (as supplied)	V-PH-HZ	<b>400V 3+N 50Hz</b>
	Configurable to		<b>2.5kW / 13A (1 Phase)</b>
	Configurable to		<b>4.5kW / 20A (1 Phase)</b>
	Configurable to		<b>6.5kW / 30A (1 Phase)</b>

### Programs

	#	Time (s)	Temp °C Wash/rinse
<b>P button (standard)</b>	Pr1	100	60 / 82
	Pr6	150	60 / 70
	dr	variable	n/a
	CLE1	300	n/a
<b>SP button (special)</b>	LonG	600	60 / 80

### Supplied with

(Standard configuration)

Flat rack	2
Cutlery rack	1
Electric cable	1
Drain hose	1
Fill hose	1
Feet	4

T: 03451 308 070

E: sales@maidaid-halcyon.co.uk

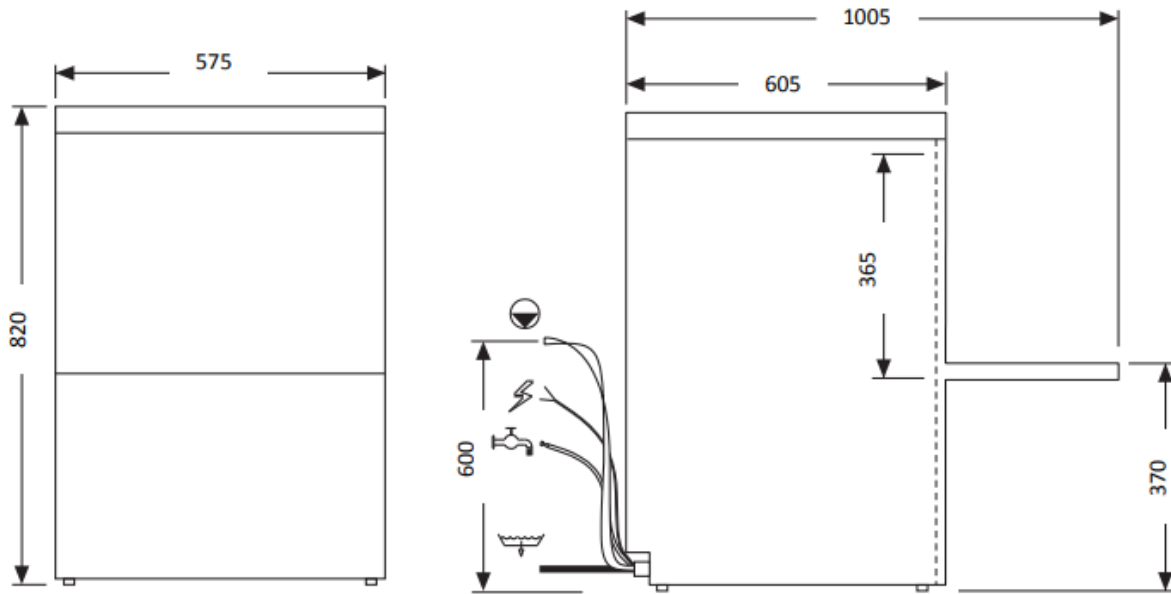
Issue: 2.0 09/03/26

# AMH500

6.5kW 16A  
3 Phase



Buttress Group Ltd.  
Top Station Road, Brackley,  
Northants NN13 7UG, UK



Feet adjustable +10mm. All services must be within 1 metre.