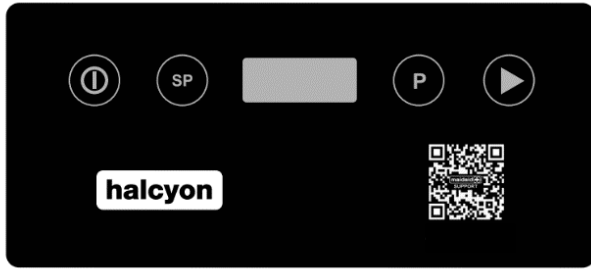


AMH910

6.5kW 32A 1 Phase



Buttress Group Ltd.
Top Station Road, Brackley,
Northants NN13 7UG, UK



	Overall dimensions (W x D x H)	mm	633 x 750 x 1485* (1934)† (inc. feet)
↙ ↘	Packaging dimensions (W x D x H)	mm	760 x 840 x 1520
	Gross weight	kg	90
	Net weight	kg	80
	Cubic Volume	m ³	0.98
	Rack size (W x D x H)	mm	500 x 500 x 100
☐ ↗	Door opening	mm	420
	Max useable height	mm	400
	Rack guide rails		inox guides in composite
	Body construction		single skin
	Tank construction		moulded
🍷	Tank volume	L	15
	Tank heating element	kW	2.0
	Surface scrap trays		composite (2.5mm mesh)
🌡️	Wash arms (with cleaning port)		parallel (quick release)
	Wash pump type		dual flow
	Wash pump power	kW	0.47
	Pre-set wash temperatures	°C	55-60 (fully adjustable)
	Boiler type		open
🕒	Boiler volume	L	7.0
	Breaktank		yes
	Boiler heating element	kW	6.0
🌡️	Rinse booster pump		yes
	Rinse booster pump power	kW	0.2
	Pre-set rinse temperatures	°C	70-82 (fully adjustable)
	Rinse arms (with cleaning port)		parallel (quick release)
🚰	Drain system		partial drain
	Drain filter		double filter
	Drain pump		yes
💧	Rinse aid dispenser	peristaltic	yes
	Detergent dispenser	peristaltic	yes
🔗	Water softener		no
	Water consumption per cycle	L	1.5-2.0
🍷	Inlet water pressure	bar	1.0-4.0
	Inlet water temperature	°C	10-50
	Total programs	programs	5
	Total power	kW	6.5
⚡	Fuse	A	32
	Electric connection (as supplied)	V-PH-HZ	230-240V 1N 50Hz
	Configurable to		4.5kW / 20A (1 Phase)
	Configurable to		6.5kW / 16A (3 Phase)

Programs

	#	Time (s)	Temp °C Wash/rinse
P button (standard)	Pr2	100	60 / 82
	dr	variable	n/a
	CLE1	300	n/a
SP button (special)	Pr6	150	55 / 70
	LonG	600	60 / 80

Supplied with

(Standard configuration)

Dish rack (64 peg)	1
Flat rack	1
Cutlery rack	1
Electric cable	1
Drain hose	1
Fill hose	1
Feet	4

*Minimum height (+60mm with adjustable feet) †Minimum height with hood open (+60mm with adjustable feet)
Maidaid reserve the right to alter specs & dimensions without prior notification, all dimensions will be +/- 3mm

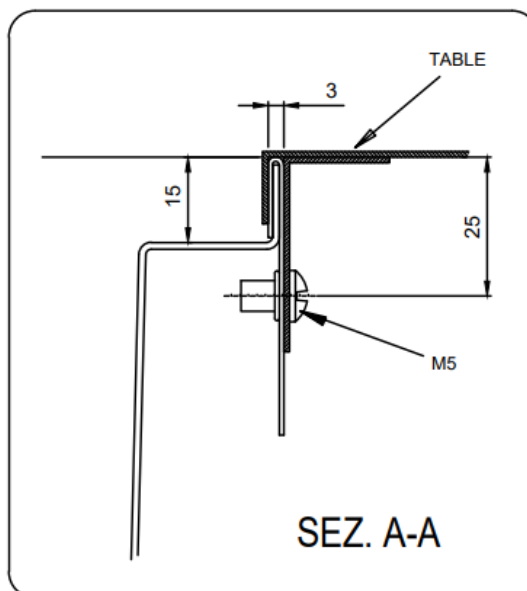
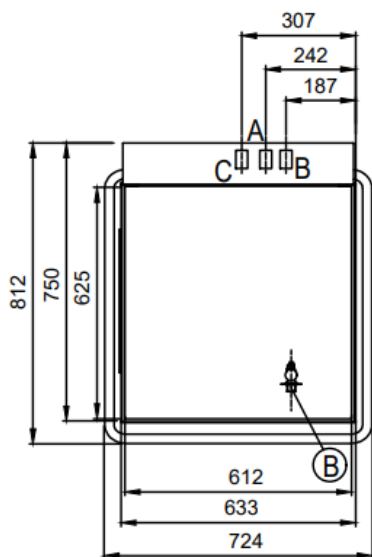
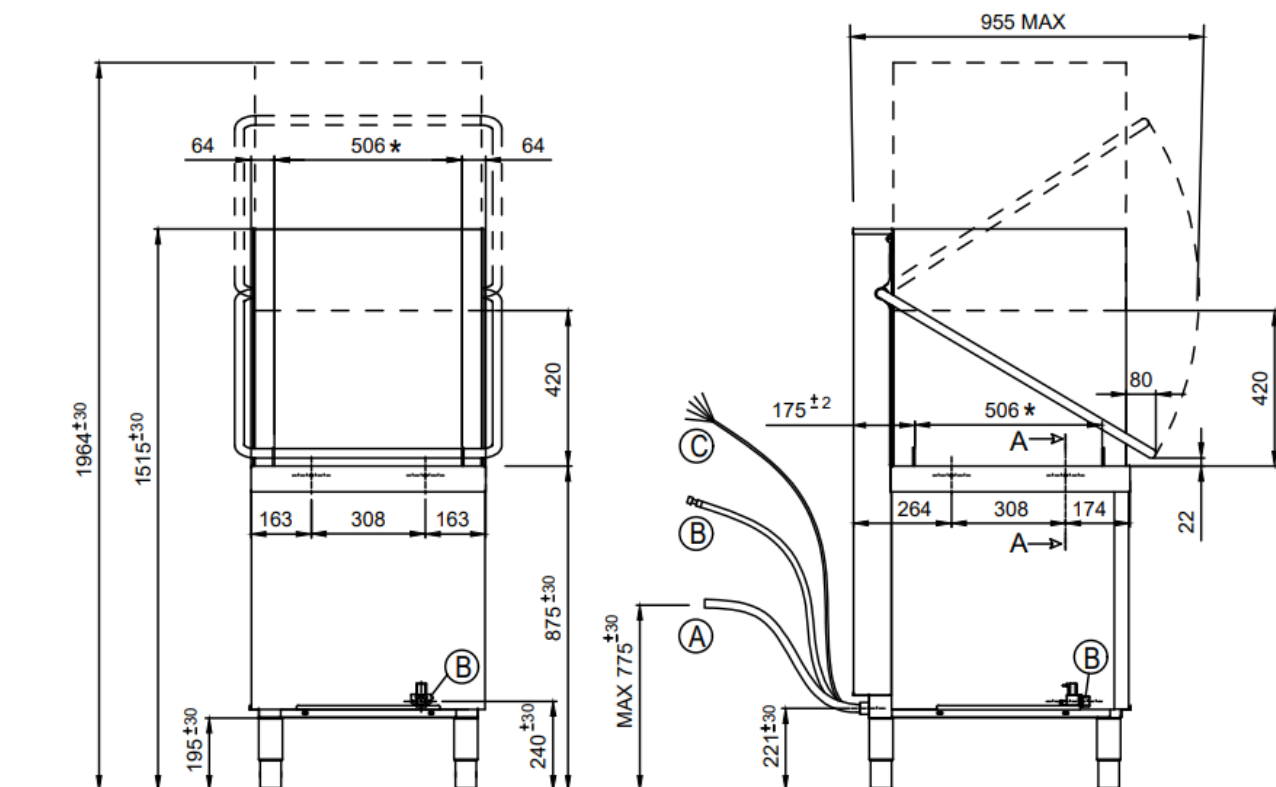
T: 03451 308 070
E: sales@maidaid-halcyon.co.uk
Issue: 2.0 09/03/26

AMH910

6.5kW 32A
1 Phase



Buttress Group Ltd.
Top Station Road, Brackley,
Northants NN13 7UG, UK



A		∅ 32 mm
B		G 3/4"
C		Power supply

* LUCE UTILE PER CESTELLO
USEFUL SPACE FOR BASKET
LUMIERE UTILE POUR PANIER
NUTZBARE OFFNUNG FUR KORBE
ABERTURA UTIL PARA CESTO

Feet adjustable +10mm. All services must be within 1 metre.

*Minimum height (+60mm with adjustable feet) †Minimum height with hood open (+60mm with adjustable feet)
Maidaid reserve the right to alter specs & dimensions without prior notification, all dimensions will be +/- 3mm

T: 03451 308 070
E: sales@maidaid-halcyon.co.uk
Issue: 2.0 09/03/26