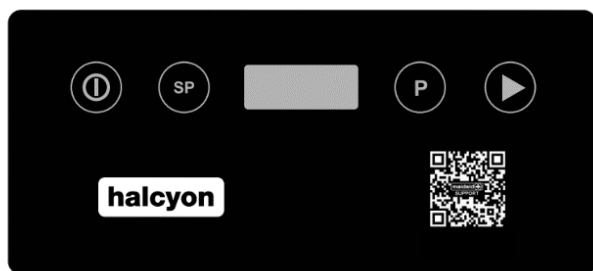


# AMH950WS 6.5kW 32A 1 Phase



Buttress Group Ltd.  
Top Station Road, Brackley,  
Northants NN13 7UG, UK



	Overall dimensions (W x D x H)	mm	<b>633 x 750 x 1485* (1934)†</b> (inc. feet)
↙ ↘	Packaging dimensions (W x D x H)	mm	<b>760 x 840 x 1520</b>
	Gross weight	kg	<b>95</b>
	Net weight	kg	<b>80</b>
	Cubic Volume	m <sup>3</sup>	<b>0.98</b>
	Rack size (W x D x H)	mm	<b>500 x 500 x 100</b>
📏	Door opening	mm	<b>420</b>
	Max useable height	mm	<b>400</b>
	Rack guide rails		<b>inox guides in composite</b>
	Body construction		<b>single skin</b>
	Tank construction		<b>moulded</b>
💧	Tank volume	L	<b>15</b>
	Tank heating element	kW	<b>2.0</b>
	Surface scrap trays		<b>composite (2.5mm mesh)</b>
🧴	Wash arms (with cleaning port)		<b>parallel (quick release)</b>
	Wash pump type		<b>dual flow</b>
	Wash pump power	kW	<b>0.47</b>
	Pre-set wash temperatures	°C	<b>55-60 (fully adjustable)</b>
	Boiler type		<b>open</b>
🕒	Boiler volume	L	<b>7.0</b>
	Breaktank		<b>yes</b>
	Boiler heating element	kW	<b>6.0</b>
🧴	Rinse booster pump		<b>yes</b>
	Rinse booster pump power	kW	<b>0.2</b>
	Pre-set rinse temperatures	°C	<b>70-82 (fully adjustable)</b>
	Rinse arms (with cleaning port)		<b>parallel (quick release)</b>
🚰	Drain system		<b>partial drain</b>
	Drain filter		<b>double filter</b>
	Drain pump		<b>yes</b>
💧	Rinse aid dispenser	peristaltic	<b>yes</b>
	Detergent dispenser	peristaltic	<b>yes</b>
🔗	Water softener		<b>yes</b>
	Water consumption per cycle	L	<b>1.5-2.0</b>
🚰	Inlet water pressure	bar	<b>1.0-4.0</b>
	Inlet water temperature	°C	<b>10-50</b>
	Total programs	programs	<b>5</b>
	Total power	kW	<b>6.5</b>
⚡	Fuse	A	<b>32</b>
	Electric connection (as supplied)	V-PH-HZ	<b>230-240V 1N 50Hz</b>
	Configurable to		<b>4.5kW / 20A (1 Phase)</b>
	Configurable to		<b>6.5kW / 16A (3 Phase)</b>

## Programs

	#	Time (s)	Temp °C Wash/rinse
<b>P button (standard)</b>	Pr2	100	60 / 82
	dr	variable	n/a
	CLE1	300	n/a
<b>SP button (special)</b>	Pr6	150	55 / 70
	LonG	600	60 / 80

## Supplied with

(Standard configuration)

Dish rack (64 peg)	1
Flat rack	1
Cutlery rack	1
Electric cable	1
Drain hose	1
Fill hose	1
Feet	4
Salt jug	1
Salt funnel	1

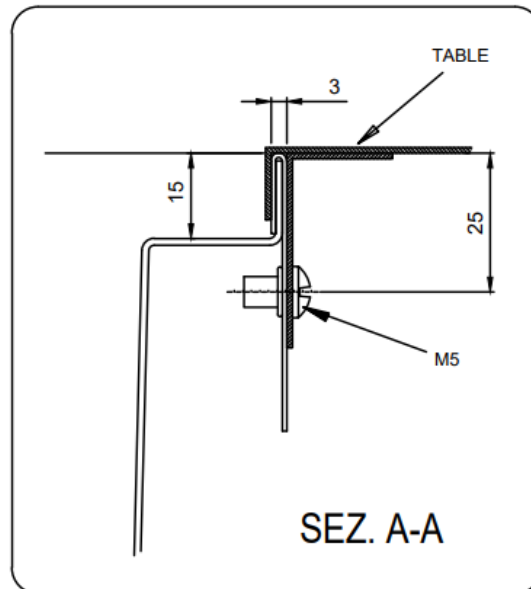
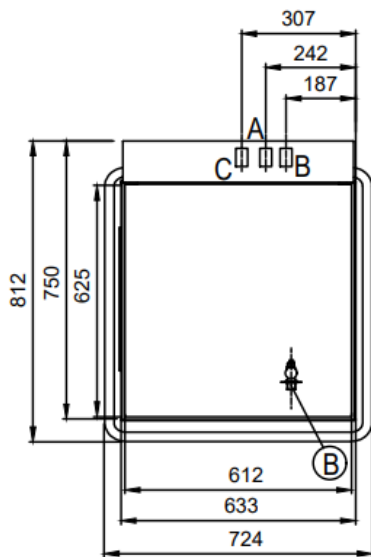
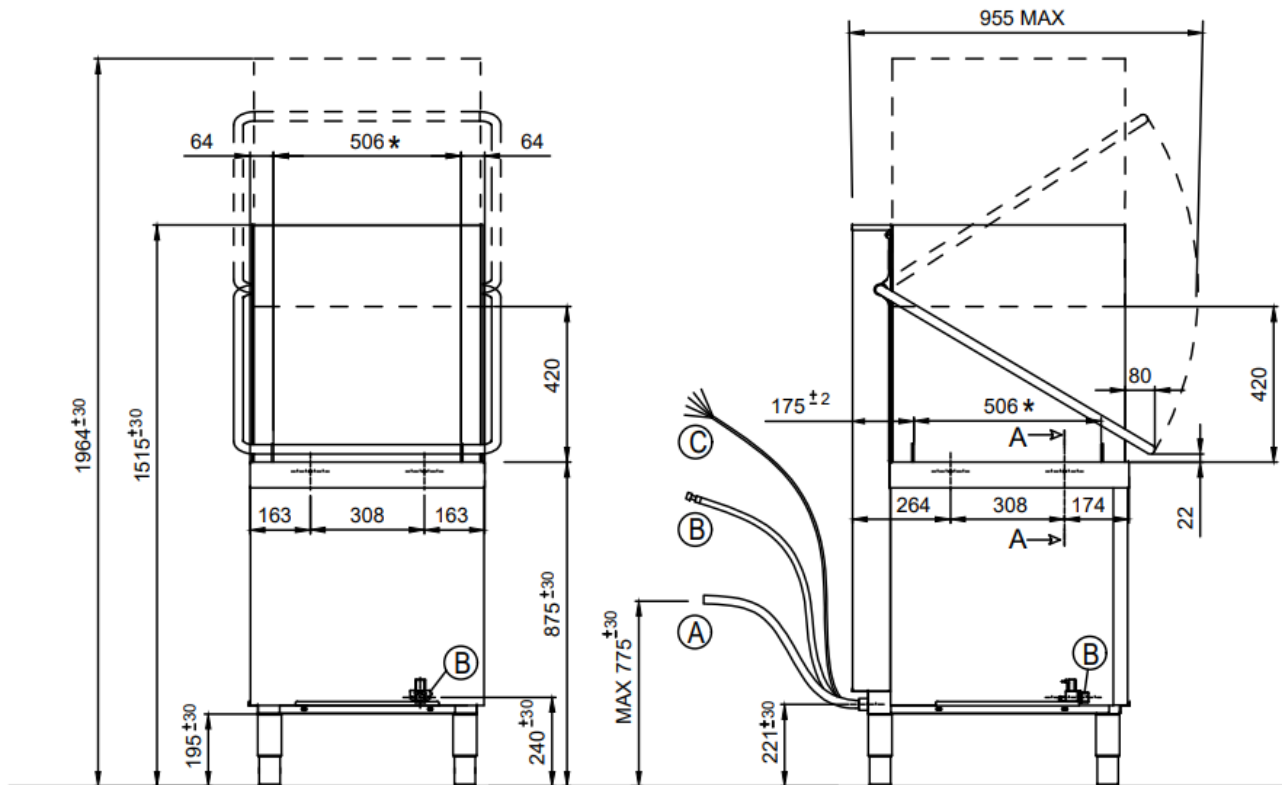
\*Minimum height (+60mm with adjustable feet) †Minimum height with hood open (+60mm with adjustable feet)  
Maidaid reserve the right to alter specs & dimensions without prior notification, all dimensions will be +/- 3mm

T: 03451 308 070  
E: sales@maidaid-halcyon.co.uk  
Issue: 2.0 09/03/26

# AMH950WS 6.5kW 32A 1 Phase



Buttress Group Ltd.  
Top Station Road, Brackley,  
Northants NN13 7UG, UK



A		∅ 32 mm
B		G 3/4"
C		Power supply

\* LUCE UTILE PER CESTELLO  
USEFUL SPACE FOR BASKET  
LUMIERE UTILE POUR PANIER  
NUTZBARE OFFNUNG FUR KORBE  
ABERTURA UTIL PARA CESTO

Feet adjustable +10mm. All services must be within 1 metre.

\*Minimum height (+60mm with adjustable feet) †Minimum height with hood open (+60mm with adjustable feet)  
Maidaid reserve the right to alter specs & dimensions without prior notification, all dimensions will be +/- 3mm

T: 03451 308 070  
E: sales@maidaid-halcyon.co.uk  
Issue: 2.0 09/03/26