

C205WSHR 6.5kW 32A 1 Phase



Buttress Group Ltd.
Top Station Road, Brackley,
Northants NN13 7UG, UK



↙ ↘	Overall dimensions (W x D x H)	mm	633 x 750 x 2253* (inc. feet)
	Packaging dimensions (W x D x H)	mm	760 x 840 x 1600 (720 x 760 x 310)
	Gross weight	kg	105 (19)
↙ ↘	Net weight	kg	89 (23)
	Cubic Volume	m ³	0.98 (0.18)
	Rack size (W x D x H)	mm	500 x 500 x 150
📏	Door opening	mm	470
	Max useable height	mm	440
	Rack guide rails		inox guides in composite
🔧	Body construction		single skin
	Tank construction		moulded
	Tank volume	L	20
🔧	Tank heating element	kW	3.0 (3x1)
	Surface scrap trays		composite (2mm mesh)
	Wash arms (with cleaning port)		parallel (quick release)
🌡️	Wash pump type		dual flow
	Wash pump power	kW	0.47
	Pre-set wash temperatures	°C	55-60 (fully adjustable)
🔧	Boiler type		open
	Boiler volume	L	7.0
	Breaktank		yes
🔧	Boiler heating element	kW	6.0
	Rinse booster pump		yes
	Rinse booster pump power	kW	0.2
🌡️	Pre-set rinse temperatures	°C	70-82 (fully adjustable)
	Rinse arms (with cleaning port)		parallel (quick release)
	Drain system		partial drain
🚰	Drain filter		triple filter
	Drain pump		yes
	Rinse aid dispenser	peristaltic	yes
💧	Detergent dispenser	peristaltic	yes
	Water softener		yes
	Water consumption per cycle	L	1.5-2.0
🔧	Inlet water pressure	bar	1.0-4.0
	Inlet water temperature	°C	10-50 (cold fill)
	Total programs	programs	9
⚡	Total power	kW	6.5
	Fuse	A	32
	Electric connection (as supplied)	V-PH-HZ	230-240V 1N 50Hz
Ⓜ️	Configurable to		6.5kW / 16A (3 Phase)
	Configurable to		4.5kW / 20A (1 Phase)
	Heat recovery fan	kW	0.76
Ⓜ️	Heat recovery air flow	m ³ /h	405
	Residual heat emission SENSITIVE	kW	0.8
	Residual heat emission LATENT	kW	0.6

Programs

	#	Time (s)	Temp °C Wash/rinse
P button (standard)	Pr1	75	60 / 70
	Pr2	100	60 / 82
	GLS2	100	60 / 70
	dr	variable	n/a
	CLE1	300	n/a
SP button (special)	Pr6	140	55 / 75
	bot1	180+	variable
	bot2	200+	variable
	LonG	600	60 / 80

Supplied with

(Standard configuration)

Dish rack (40 peg)	1
Flat rack	1
Cutlery rack	1
Electric cable	1
Drain hose	1
Fill hose	1
Feet	4
Salt jug	1
Salt funnel	1

*Minimum height (+60mm with adjustable feet)

Maidaid reserve the right to alter specs & dimensions without prior notification, all dimensions will be +/- 3mm

T: 03451 308 070

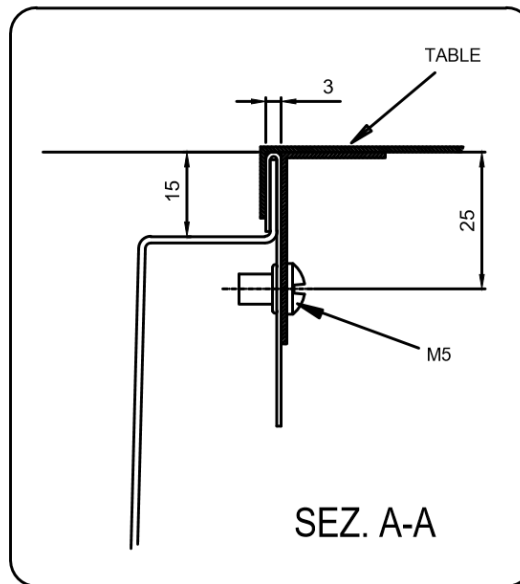
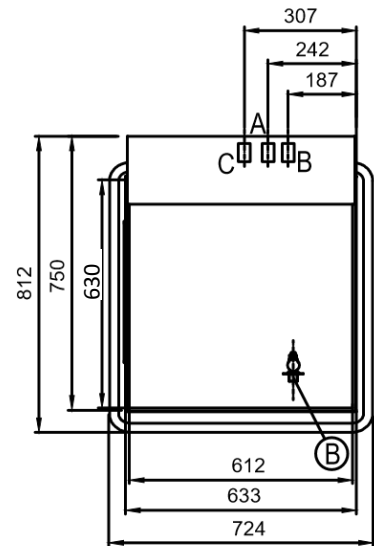
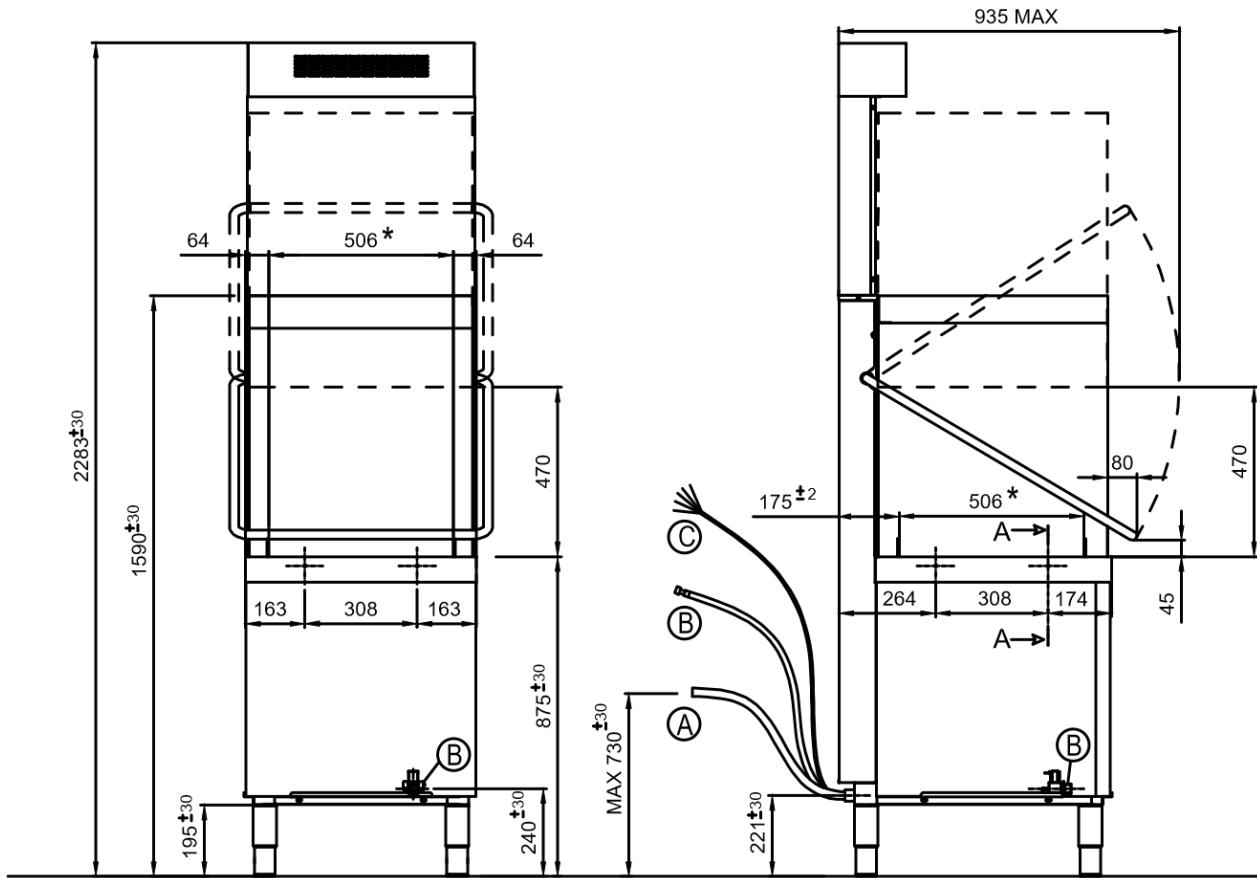
E: sales@maidaid-halcyon.co.uk

Issue: 2.0 09/03/26

C205WSHR 6.5kW 32A 1 Phase



Buttress Group Ltd.
Top Station Road, Brackley,
Northants NN13 7UG, UK



A		∅ 32 mm
B		G 3/4"
C		Power supply

* LUCE UTILE PER GESTELLO
USEFUL SPACE FOR BASKET
LUMIERE UTILE POUR PANIER
NUTZBARE OFFNUNG FUR KORBE
ABERTURA UTIL PARA CESTO

Feet adjustable +10mm. All services must be within 1 metre.

*Minimum height (+60mm with adjustable feet)
Maidaid reserve the right to alter specs & dimensions without prior notification, all dimensions will be +/- 3mm

T: 03451 308 070
E: sales@maidaid-halcyon.co.uk
Issue: 2.0 09/03/26