

# C35D

## 2.75kW 13A 1 Phase



**Buttress Group Ltd.**  
Top Station Road, Brackley,  
Northants NN13 7UG, UK



	Overall dimensions (W x D x H)	mm	<b>401 x 490 x 605</b> (inc. feet)
	Packaging dimensions (W x D x H)	mm	<b>470 x 590 x 750</b>
↗ ↘	Gross weight	kg	<b>31</b>
	Net weight	kg	<b>27</b>
	Cubic Volume	m <sup>3</sup>	<b>0.25</b>
	Rack size (W x D x H)	mm	<b>350 x 350 x 120</b>
📏	Door opening	mm	<b>260</b>
	Max useable height	mm	<b>240</b>
	Rack guide rails		<b>embossed</b>
	Body construction		<b>stratified double skin</b>
	Tank construction		<b>welded - stamped base</b>
🍷	Tank volume	L	<b>7</b>
	Tank heating element	kW	<b>1.4</b>
	Surface scrap trays		<b>composite (2mm mesh)</b>
🧴	Wash arms (with cleaning port)		<b>parallel (quick release)</b>
	Wash pump type		<b>single flow</b>
	Wash pump power	kW	<b>0.11</b>
	Pre-set wash temperatures	°C	<b>60-65 (fully adjustable)</b>
	Boiler type		<b>pressurised</b>
🔧	Boiler volume	L	<b>2.6</b>
	Breaktank		<b>no</b>
	Boiler heating element	kW	<b>2.6</b>
🧴	Rinse booster pump		<b>no</b>
	Rinse booster pump power	kW	<b>n/a</b>
	Pre-set rinse temperatures	°C	<b>65-80 (fully adjustable)</b>
	Rinse arms (with cleaning port)		<b>parallel (quick release)</b>
🚰	Drain system		<b>partial drain</b>
	Drain filter		<b>triple filter</b>
	Drain pump		<b>yes</b>
💧	Rinse aid dispenser	peristaltic	<b>yes</b>
	Detergent dispenser	peristaltic	<b>yes</b>
🔗	Water softener		<b>no</b>
	Water consumption per cycle	L	<b>2.0</b>
🍷	Inlet water pressure	bar	<b>2.0-4.0</b>
	Inlet water temperature	°C	<b>10-50</b>
	Total programs	programs	<b>5</b>
	Total power	kW	<b>2.75</b>
⚡	Fuse	A	<b>13 (moulded plug)</b>
	Electric connection (as supplied)	V-PH-HZ	<b>230-240V 1N 50Hz</b>
	Configurable to		<b>n/a</b>

### Programs

	#	Time (s)	Temp °C Wash/rinse
<b>P button (standard)</b>	GLS1	90	60 / 70
	GLS2	75	65 / 65
	dr	variable	n/a
	CLE1	300	n/a
<b>SP button (special)</b>	CuP1	100	65 / 80

### Supplied with

(Standard configuration)

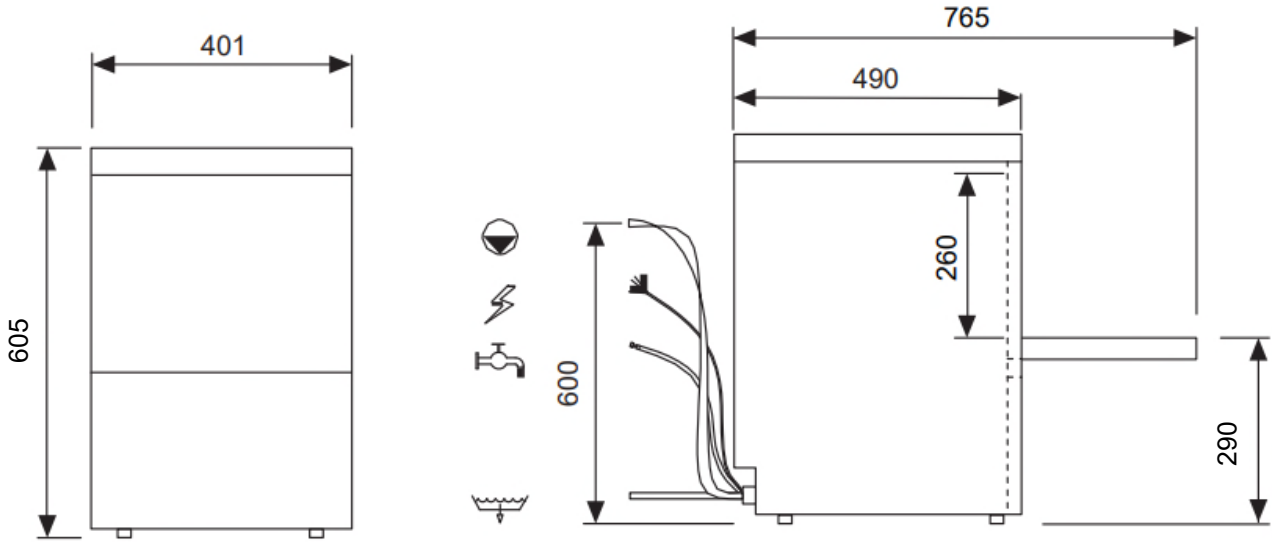
Flat rack	2
Cutlery rack	1
Electric cable	1
Drain hose	1
Fill hose	1
Feet	4

# C35D

2.75kW 13A  
1 Phase



Buttress Group Ltd.  
Top Station Road, Brackley,  
Northants NN13 7UG, UK



Feet adjustable +10mm. All services must be within 1 metre.