

C50D

6.5kW 30A 1 Phase



Buttress Group Ltd.
Top Station Road, Brackley,
Northants NN13 7UG, UK



	Overall dimensions (W x D x H)	mm	575 x 605 x 820 (inc. feet)
	Packaging dimensions (W x D x H)	mm	670 x 690 x 980
↙ ↘	Gross weight	kg	61
	Net weight	kg	54
	Cubic Volume	m ³	0.45
	Rack size (W x D x H)	mm	500 x 500 x 150
📏	Door opening	mm	365
	Max useable height	mm	330
	Rack guide rails		embossed
	Body construction		stratified double skin
	Tank construction		welded - stamped base
🍷	Tank volume	L	20
	Tank heating element	kW	2.0
	Surface scrap trays		composite (2mm mesh)
🧴	Wash arms (with cleaning port)		parallel (quick release)
	Wash pump type		dual flow
	Wash pump power	kW	0.47
	Pre-set wash temperatures	°C	55-65 (fully adjustable)
	Boiler type		pressurised
🔌	Boiler volume	L	6.0
	Breaktank		no
	Boiler heating element	kW	6.0
🧴	Rinse booster pump		no
	Rinse booster pump power	kW	n/a
	Pre-set rinse temperatures	°C	65-82 (fully adjustable)
	Rinse arms (with cleaning port)		parallel (quick release)
🚰	Drain system		partial drain
	Drain filter		triple filter
	Drain pump		yes
💧	Rinse aid dispenser	peristaltic	yes
	Detergent dispenser	peristaltic	yes
🔗	Water softener		no
	Water consumption per cycle	L	1.5-2.0
🚰	Inlet water pressure	bar	2.0-4.0
	Inlet water temperature	°C	10-50
	Total programs	programs	8
	Total power	kW	6.5
⚡	Fuse	A	30
	Electric connection (as supplied)	V-PH-HZ	230-240V 1N 50Hz
	Configurable to		6.5kW / 16A (3 Phase)
	Configurable to		4.5kW / 20A (1 Phase)
	Configurable to		2.5kW / 13A (1 Phase)

Programs

	#	Time (s)	Temp °C Wash/rinse
P button (standard)	Pr1	75	60 / 70
	Pr2	100	60 / 82
	GLS3	75	65 / 65
	dr	variable	n/a
	CLE1	300	n/a
SP button (special)	Pr6	150	55 / 75
	GLS2	75	60 / 70
	Long	600	60 / 80

Supplied with

(Standard configuration)

Flat rack	2
Cutlery rack	1
Electric cable	1
Drain hose	1
Fill hose	1
Feet	4

T: 03451 308 070

E: sales@maidaid-halcyon.co.uk

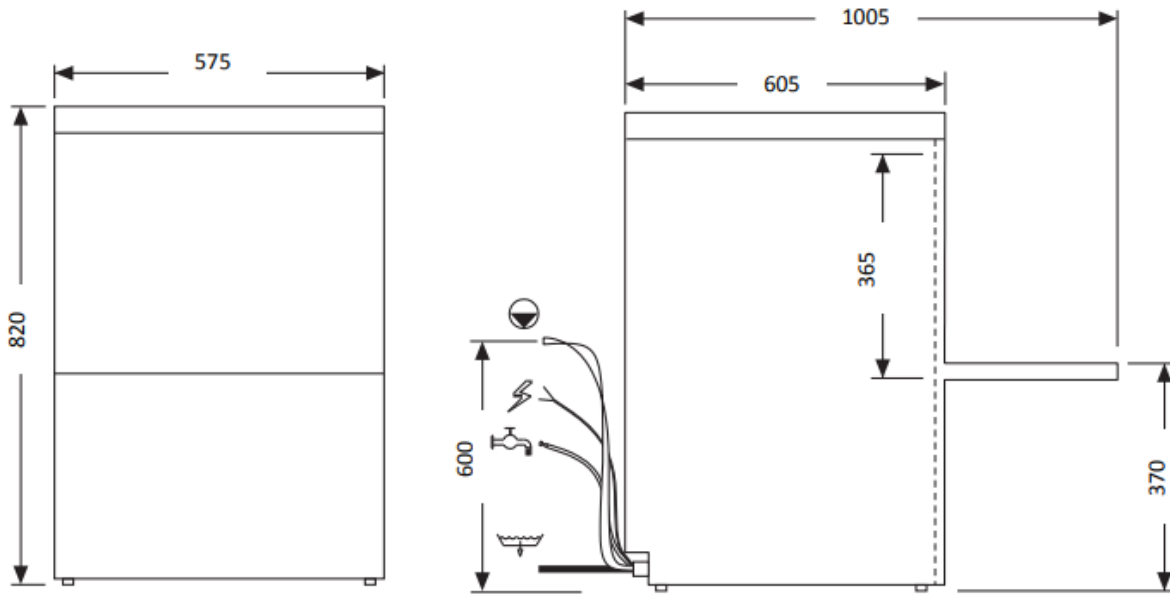
Issue: 2.0 09/03/26

C50D

6.5kW 30A
1 Phase



Buttress Group Ltd.
Top Station Road, Brackley,
Northants NN13 7UG, UK



Feet adjustable +10mm. All services must be within 1 metre.