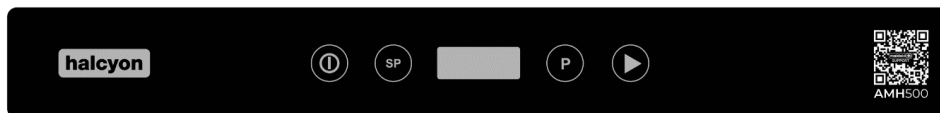


AMH500 6.5kW 16Amp 3 Phase



Buttress Group Ltd.
Top Station Road, Brackley,
Northants NN13 7UG, UK



| | | | |
|---|----------------------------------|--------------------|---------------------------------|
| | Overall dimensions (W x D x H) | mm | 575 x 605 x 820 |
| | Packaging dimensions (W x D x H) | mm | 670 x 690 x 980 |
| ↙ | Gross weight | Kg | 60 |
| | Net weight | Kg | 54 |
| | Cubic volume | m ³ | 0.45 |
| | Rack size | mm | 500 x 500 |
| ☐ | Door opening | mm | 365 |
| | Max useable height | mm | 325/365 (glasses/plates) |
| | Rack guide rails | | flat |
| | Body construction | | single skin |
| | Tank construction | | welded - stamped base |
| 🔥 | Tank volume | L | 20 |
| | Tank heating element | kW | 2.0 |
| | Surface scrap trays | | composite (2.5mm mesh) |
| 🔥 | Wash arms | | parallel (quick release) |
| | Wash pump type | | dual flow |
| | Wash pump power | kW | 0.5 |
| | Wash temperature | °C | 55 - 60 (adjustable) |
| 🔥 | Boiler type | | pressurised |
| | Boiler volume | L | 6.0 |
| | Breaktank | | no |
| | Boiler heating element | kW | 6.0 |
| 🔥 | Rinse booster pump | | no |
| | Rinse booster pump power | kW | n/a |
| | Rinse temperature | °C | 70 - 82 (adjustable) |
| | Rinse arms | | parallel (quick release) |
| 🚰 | Drain system | | partial drain |
| | Drain filter | | double filter |
| | Drain pump | | yes |
| 💧 | Rinse aid dispenser | <i>peristaltic</i> | yes |
| | Detergent dispenser | <i>peristaltic</i> | yes |
| | Water consumption per cycle | L | 1.5 - 2.0 |
| 🍷 | Inlet water pressure | bar | 2.0 - 4.0 |
| | Fast program (GLS1) | sec | 100 |
| | Total programs | <i>programs</i> | 5 |
| | Total power | kW | 6.5 |
| ⚡ | Electric connection | <i>V-Ph-Hz</i> | 400V 3+N 50Hz |
| | <i>Alternative</i> | | not convertible |
| | Fuse | A | 16 |
| 🔗 | Water softener | | no |



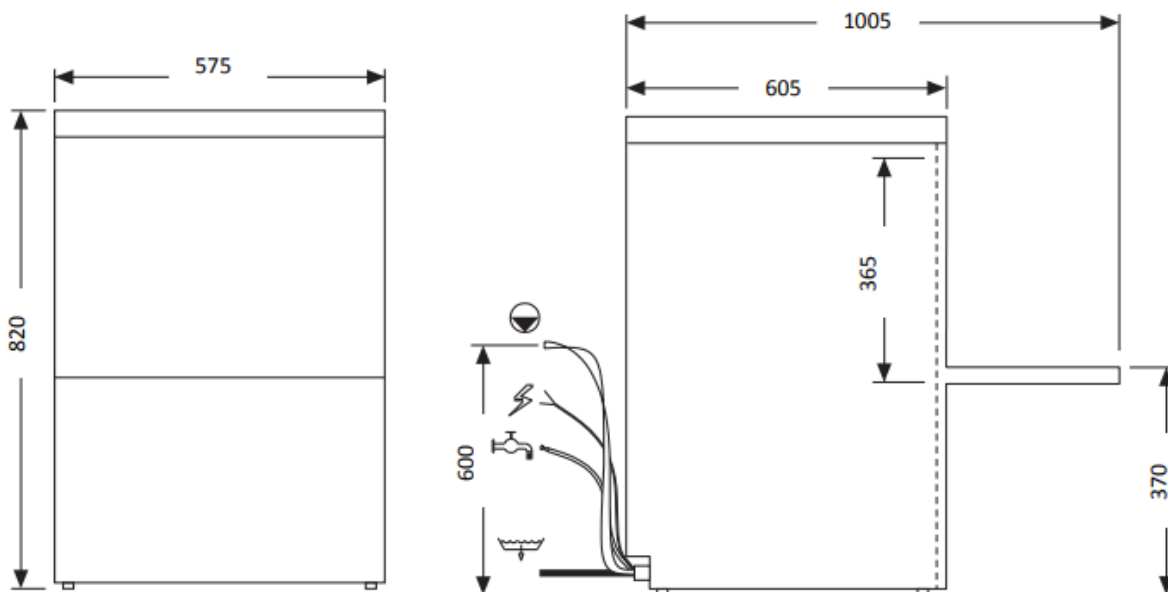
Supplied with

| | |
|----------------|---|
| Dish rack | 1 |
| Flat rack | 1 |
| Cutlery rack | 1 |
| Electric cable | 1 |
| Drain hose | 1 |
| Fill hose | 1 |

AMH500 6.5kW 16Amp 3 Phase



Buttress Group Ltd.
Top Station Road, Brackley,
Northants NN13 7UG, UK



All services must be within 1 metre

T: 03451 308 070
E: sales@maidaid-halcyon.co.uk
Issue: 1.1