



C RANGE

Pass Through



User & Installation Guide

January 2026

For Models:
C201D, C205WS, C205WSHR

All spares available from



The Engine Shed
Top Station Road
Brackley
NN13 7UG
Tel: 0845 1308060
Fax: 01280 845345
Web: www.caterparts.com

Copyright Notice: All rights reserved. No parts of this manual may be reproduced in any form without express written permission of Maidaid (A trading name of Buttress Group Ltd)

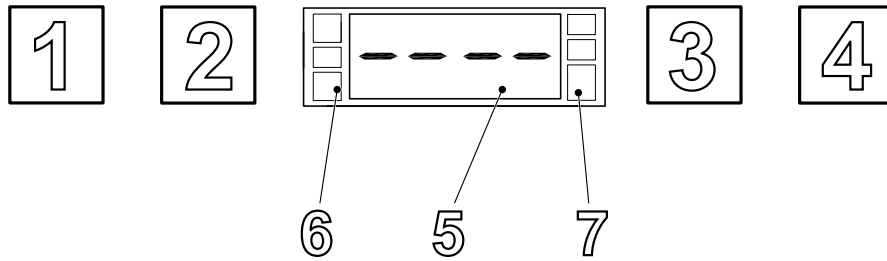
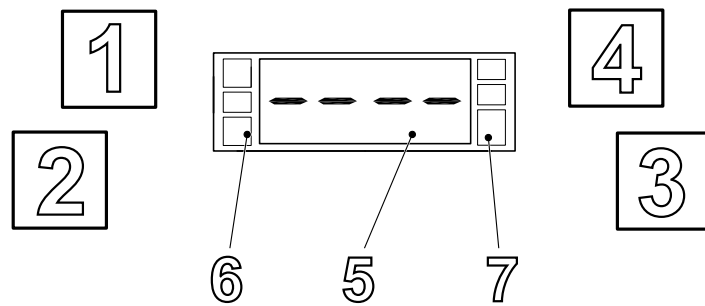


Fig. 1

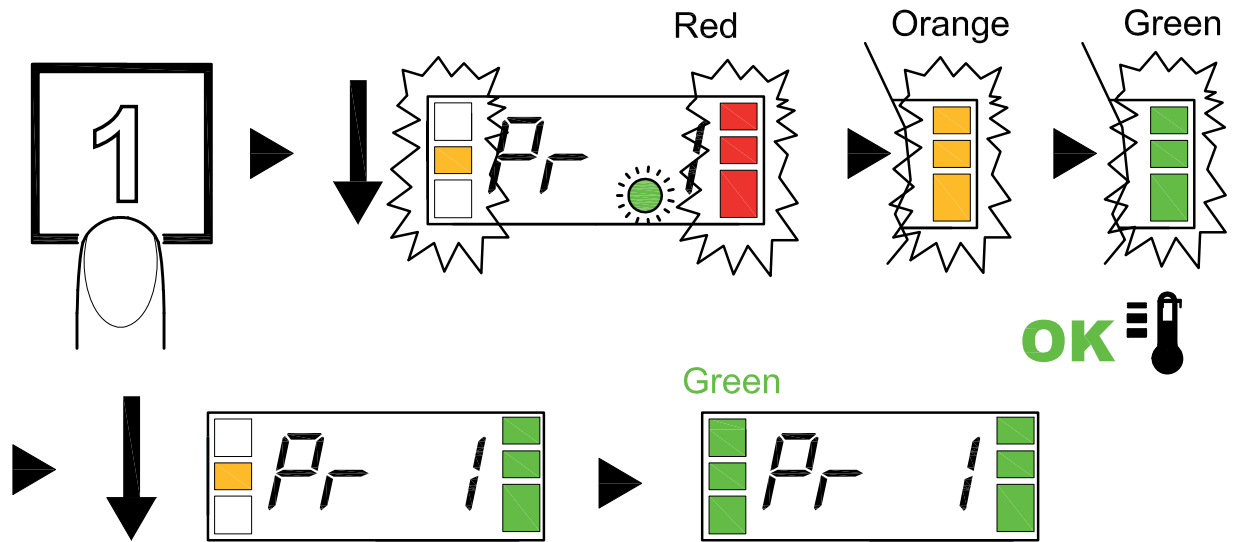


Fig. 2

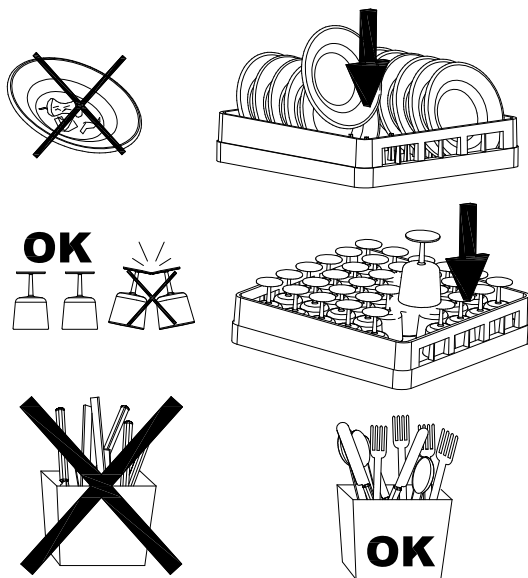


Fig. 3

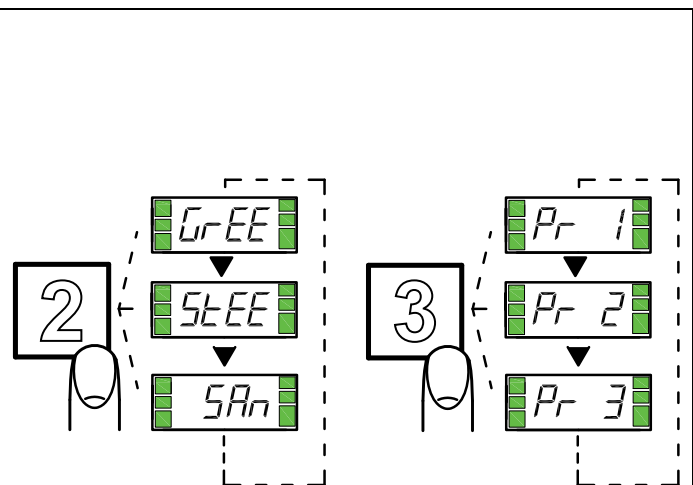


Fig. 4

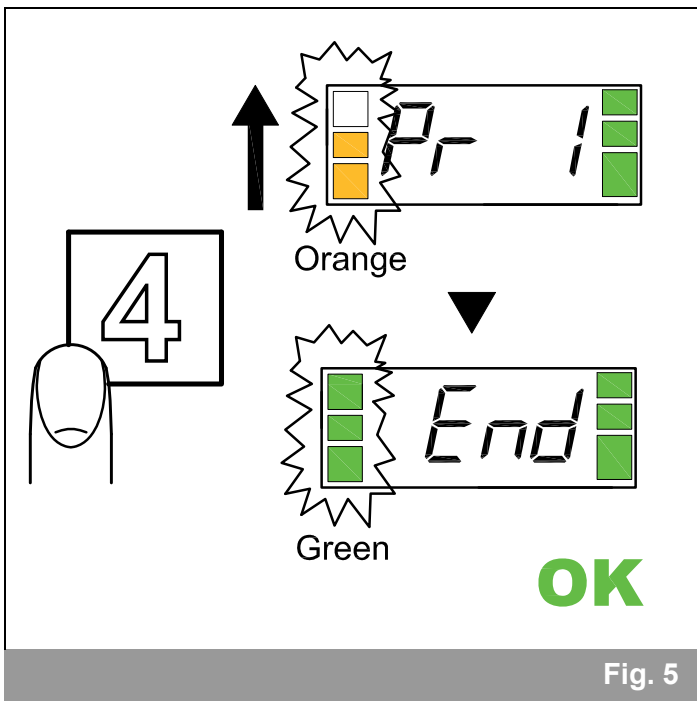


Fig. 5

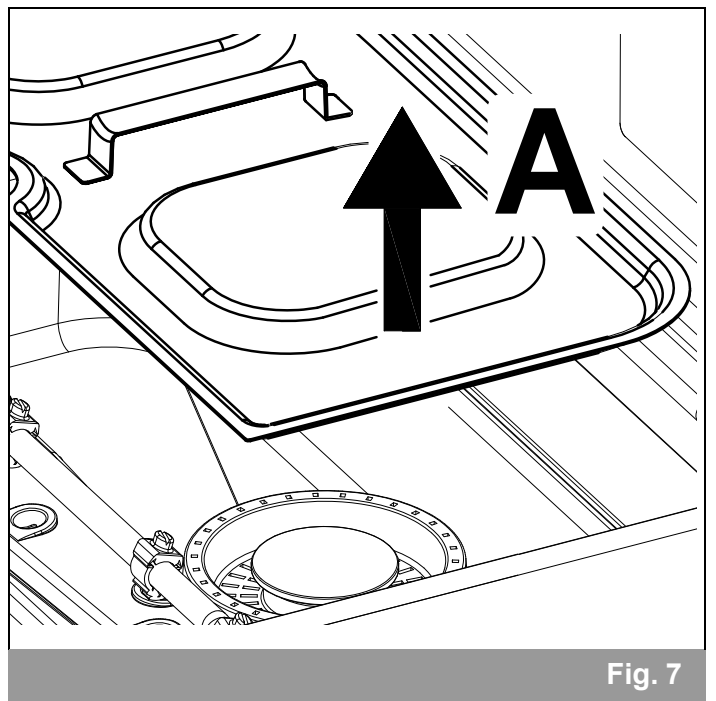


Fig. 7

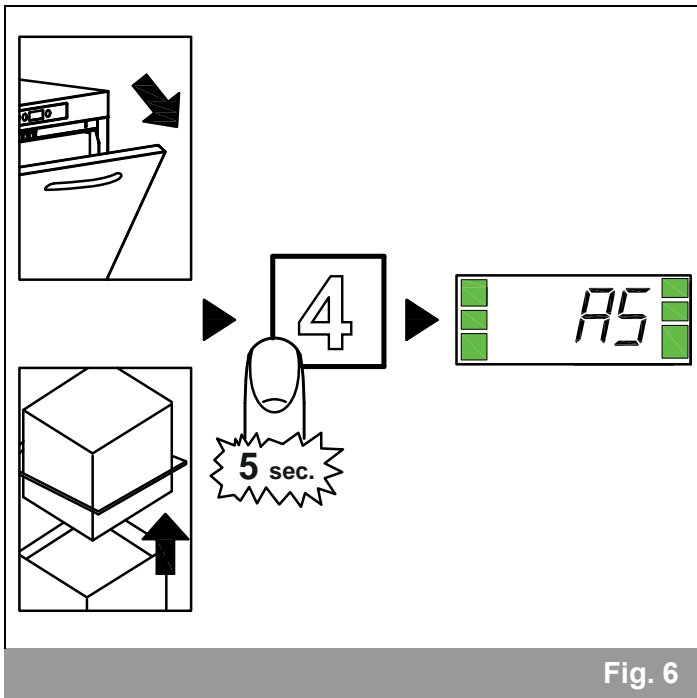


Fig. 6

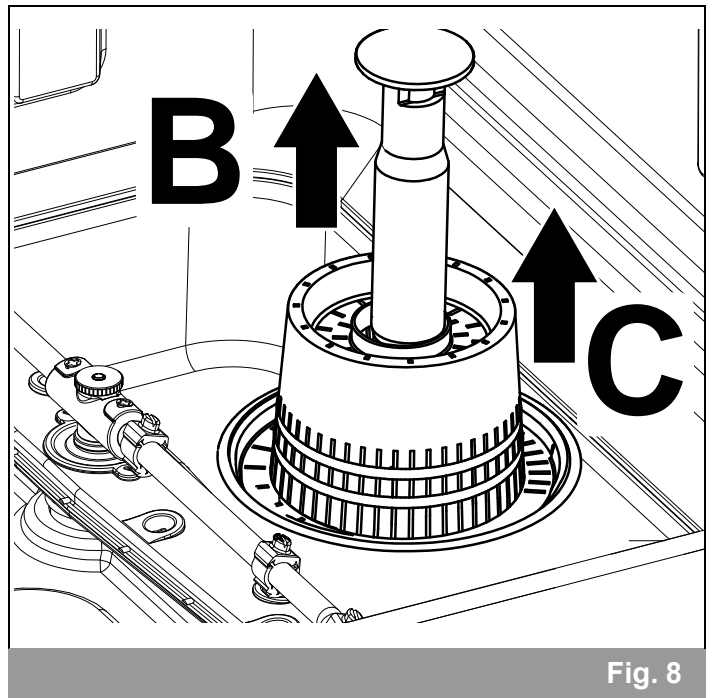


Fig. 8

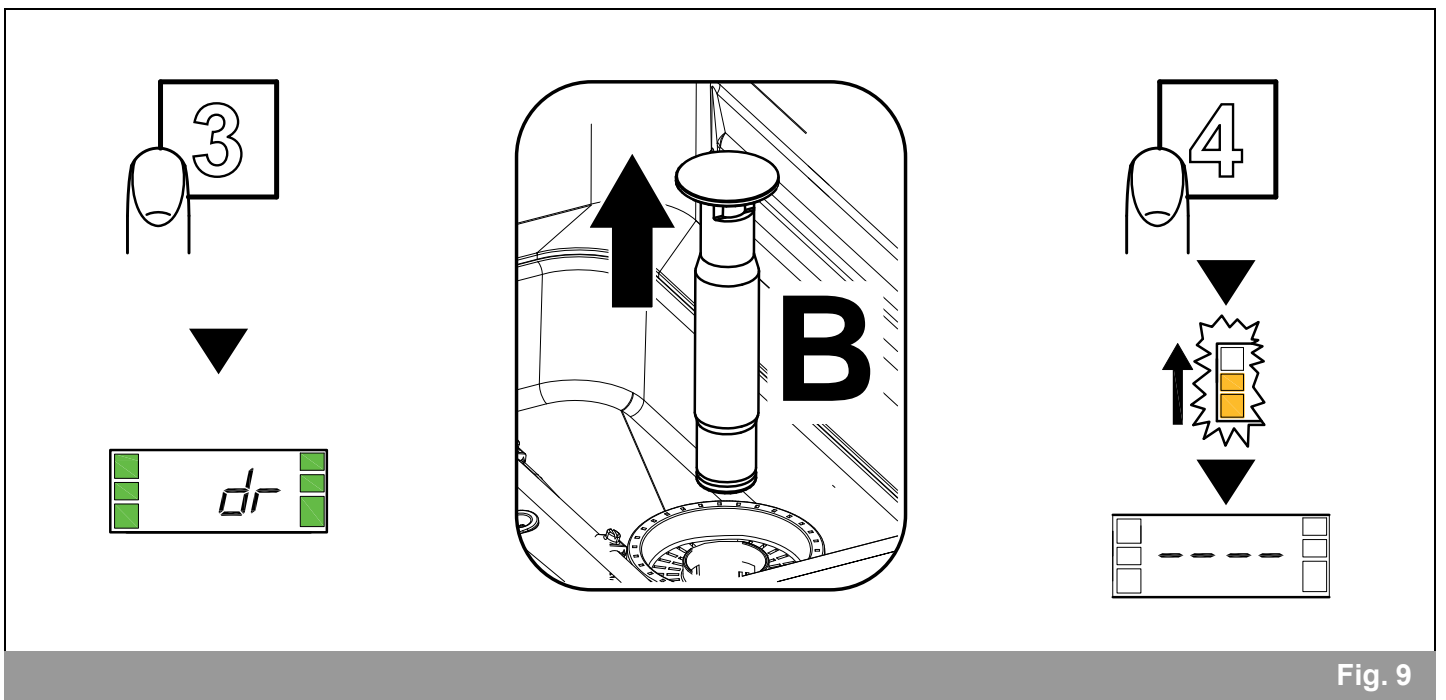


Fig. 9

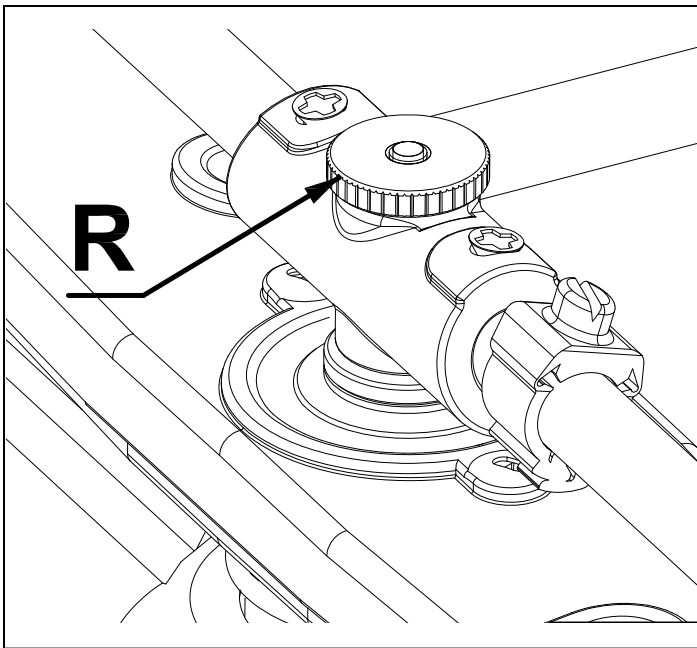


Fig. 10

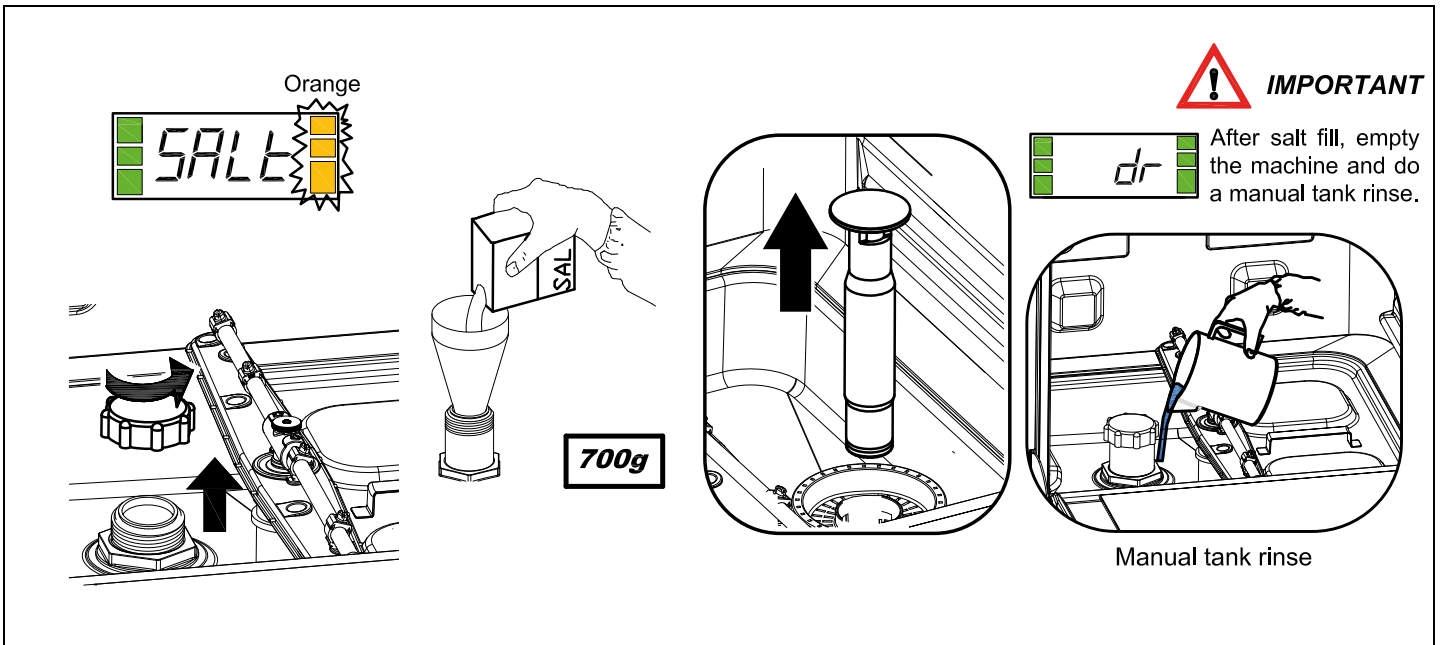


Fig. 11

CONTENTS

CHAP 1 RISKS AND IMPORTANT WARNINGS	2
1.1 NORMAL OPERATING CONDITIONS	3
CHAP 2 PREFACE	3
2.1 WARNINGS	3
2.2 WARRANTY	3
2.3 STORAGE	3
CHAP 3 INSTALLATION	4
3.1 UNPACKING.....	4
3.2 POSITIONING	4
3.3 ELECTRICAL CONNECTION	4
3.4 HYDRAULIC CONNECTION	5
3.5 CONNECTION TO THE DRAIN LINE	6
3.6 RINSE AID AND DETERGENT	6
CHAP 4 USING THE MACHINE	7
4.1 KEY AND SYMBOLS.....	7
4.2 SWITCHING THE DISHWASHER ON.....	7
4.3 FILLING THE RACK.....	7
4.4 CYCLE SELECTION AND START-UP.....	7
4.5 PROGRAMMES AND SPECIAL PROGRAMMES	8
4.6 AUTOMATIC CYCLE START-UP	9
4.7 REMOVING THE INTEGRAL FILTER	9
4.8 EMPTYING THE DISHWASHER	9
4.8.1 Appliances with no drain pump	9
4.8.2 Appliances with drain cycle (*optional)	9
4.9 TURNING THE DISHWASHER OFF	9
4.10 RESIN REGENERATION (*OPTIONAL).....	9
4.10.1 Automatic water softener.....	9
4.10.2 Manual water softener.....	10
4.11 LIST OF VIEWABLE MESSAGES.....	10
4.12 END OF SHIFT	10
CHAP 5 MAINTENANCE	11
5.1 GENERAL RULES.....	11
5.2 CLEANING	11
5.3 CLEANING THE FILTER UNIT	11
5.4 CLEANING THE ARMS.....	11
5.5 DISPENSERS.....	11
CHAP 6 SELF DIAGNOSTICS	12
CHAP 7 ADJUSTMENTS AND SETTINGS	14
7.1 INTEGRATED SOFTENER HARDNESS SETTING.....	15
CHAP 8 SCRAPPING	15
CHAP 9 ENVIRONMENT	16
9.1 RESPECT FOR THE ENVIRONMENT	16

The manufacturer retains ownership of this document according to the time limits laid down by law, and its reproduction and dissemination by any means without its prior written authorisation is prohibited.

N.B. The manufacturer reserves the right to modify the electrical, technical and aesthetic features of this appliance and replace any of its parts without notice, as he deems necessary to offer a reliable product with a long service life and advanced technology.

CHAP 1 RISKS AND IMPORTANT WARNINGS



Read the instruction manual carefully before starting the machine. It contains important information regarding safe installation, use and maintenance. Failure to observe the instructions in the enclosed documentation may compromise appliance safety and immediately voids the warranty.

- This appliance is intended solely for the use for which it was designed. Any other use is deemed improper and therefore hazardous.
- The specialised technician responsible for installing the appliance must instruct the user on its operation and any attendant safety measures, including practical demonstrations.
- Only the manufacturer or an authorised service centre with qualified staff may work on the machine, even in case of malfunction, using only original spare parts.
- Always disconnect or isolate the machine from its power and water supplies before servicing, repairing or cleaning it.
- The machine must **NOT** be used by untrained persons.
- The appliance may be used by children aged at least 8 years old or persons with reduced physical, sensory or mental capacities, or with no experience or knowledge, provided they are supervised or after they have received training in the safe use of the appliance.
- Children must not play with the appliance.
- Cleaning and maintenance by the user must not be performed by unsupervised children.
- The machine must **NOT** remain switched on when not in use.
- If the machine is not fitted with a plug or other means of complete disconnection with separation of all the contacts, these disconnection devices must be incorporated into the power mains, in compliance with the installation rules.
- If the power cable is damaged, it must be replaced by the manufacturer or an authorised technical assistance service, or in any case by a person with similar qualifications, to prevent any risk.
- The screw on the appliance marked with the IEC 60417 standard symbol 5021 represents the equipotential connection.
- **NEVER** open the machine quickly if it has not completed its cycle.
- **NEVER** use the machine without the protection devices arranged by the manufacturer.
- **NEVER** use the machine to wash objects of type, shape or material not guaranteed as machine washable or not perfectly intact.
- **NEVER** use the appliance or any of its parts as steps or a support for people, property or animals.
- **NEVER** overload the open door of front-loading machines, which is rated only to support the rack loaded with dishes.
- **NEVER** place your bare hands in the wash solution.
- **NEVER** overturn the machine after it has been installed.
- If you notice any malfunction or fluid leak, immediately disconnect the power supply and shut off the water supply.
- Do not install the dishwasher near heat sources over 50°C.
- **NEVER** leave the dishwasher exposed to the weather (rain, direct sunlight, etc.)
- The dishwasher may not be installed outdoors without proper cover.
- Never start a wash programme without the overflow in the tub, as applicable.
- Never place magnetic objects in the vicinity of the machine.
- Do not use the top of the machine as a table or support.
- The installer is responsible for checking that the grounding system is fully operational.
- At the end of testing, the installer must issue a written declaration stating that the machine has been installed and tested in accordance with established legislation and good practice.
- **DO NOT** change the position of or tamper with the machine's parts, as this could compromise its safety.
- Noise pressure level according to EN ISO 4871:
 - LpA Max = 55db Kpa=2.5db for undercounter versions
 - LpA Max = 65db Kpa=2.5db for hood versions
 - LpA Max = 76db Kpa=1.5db for utensil washer versions.
- Max inlet water temperature: 50°C.
- Max inlet water pressure: 4 bar (400 kPa).

- Appliance designed for permanent connection to the water supply.
- Do not clean the appliance with steam or water jets.
- Max unloading height:
 - On the ground in versions with overflow.
 - Maximum height 1 m in versions with drain pump.

1.1 Normal operating conditions

Ambient temperature:	40°C max / 4°C min (average 30°C)
Altitude:	Up to 2000 metres
Relative humidity:	Max 30% at 40°C / max 90% at 20 °C

CHAP 2 PREFACE

2.1 Warnings

Keep all documentation in the vicinity of the appliance; make it available to the technicians and operators charged with operating it and keep it in good condition in a safe place, along with extra copies for frequent reference

The operator must read, understand and familiarise himself with the contents of this manual before working on or with the appliance.

The appliance is intended solely for professional heavy duty dishwashing applications and must be installed, operated and serviced only by qualified persons according to the manufacturer's instructions.

2.2 Warranty

The manufacturer is not liable for any damage or injury resulting from failure to observe the instructions or improper use of the machine.

Failure to observe the instructions in the enclosed documentation may compromise appliance safety and immediately voids the warranty.

Installation and repair by unauthorised technicians and the use non-original spare parts immediately void the warranty.

2.3 Storage

Transport and warehousing: Between -10°C and 55°C with peaks up to 70°C (for max 24 hours).

CHAP 3 INSTALLATION

Proper installation is essential to the good operation of the appliance. Some of the data required for installation of the appliance are given on the nameplate on its RH body panel, and a copy is included on the cover page of this manual.



The appliance may only be installed by qualified persons authorised to do so.

3.1 Unpacking

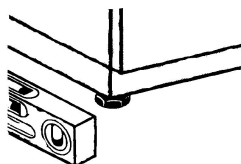
Check the condition of the packaging, and note any evident damage on the shipping bill. Remove the packaging and check that the appliance is in good condition; immediately report any damage to the reseller and the shipping agent by fax or registered letter with return receipt. If the damage is such as to compromise the safety of the appliance, do not install or operate it until it has been inspected by a qualified technician.



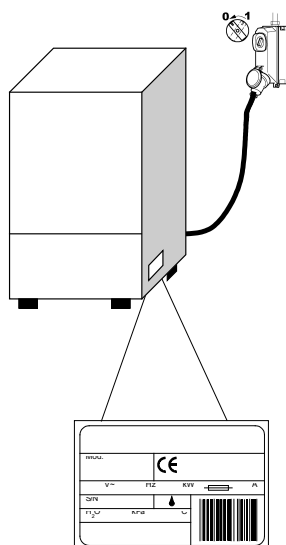
The packaging (plastic bags, expanded polystyrene, nails, etc.) is hazardous and must not be left within the reach of children or pets.

3.2 Positioning

- Check that there are no objects or materials in the installation area which may be damaged by the steam emitted by the appliance during operation, or if there are, make sure they are properly protected.
- Before positioning the dishwasher, set up the electrical power supply, water supply and drain connections.
- For flush-mounting single panel machines, leave a space of at least 10 mm between the machine walls and the adjacent surfaces.
- The floor or build-in unit must be rated to support the weight of the appliance.
- To ensure that it is stable, level the appliance with its four feet.
- The appliance is intended for fixed installation only; any other approaches must be agreed with and approved by the manufacturer.
- Remove the protective film from its body panels before operating the dishwasher.



3.3 Electrical connection



- The power supply must be fitted with a omnipolar circuit breaker (master power switch) to break all contacts including neutral, with a contact gap of at least 3 mm and thermal cutout or fuses, which must be set or rated to the power indicated on the machine's nameplate.
- The master power switch must be fitted to the power line in the vicinity of the installation and may be connected to only one machine at a time.
- The mains voltage and frequency must match the nameplate ratings.
- The installation must include a grounding system conforming with established electrical safety legislation, to protect the operator and the appliance itself.

- This appliance conforms to EN/IEC 61000-3-11 certification if the system impedance Z_{sys} is less than or equal to Z_{max} in the point of interface between the user's supply system and the public system. The installer or appliance user is responsible for checking that the appliance is connected exclusively to a supply with system impedance Z_{sys} less than or equal to Z_{max} .

	Z_{max}
Utensil washers	0.21 Ω
Hood	0.24 Ω
Undercounter	0.41 Ω


- The power cable, which must be exclusively type H07RN-F with current capacity at 60°C on the cable:

Three-phase machine

- -5x2.5 mm² up to 20 A
- -5x4 mm² up to 30 A
- -5x6 mm² up to 38 A
- -5x10 mm² up to 54 A

Single-phase machines

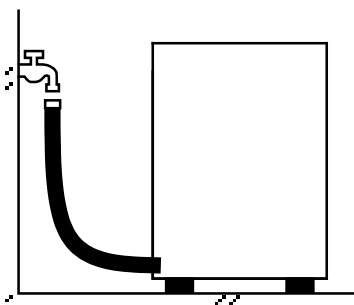
- -3x1.5 mm² up to 16 A
- -3x2.5 mm² up to 25 A

- Must not be stretched or crushed during normal operation or routine maintenance.
- The appliance must also be connected to an equipotential system, connected by a screw marked by the symbol 5021 -IEC 60417. 
- The equipotential cable must have a cross section of 10 mm².
- Respect the polarities indicated in the wiring diagram.
- For further information, refer to the wiring diagram.



Do not use multi-sockets, adapters, cables of an inadequate cross-section or type or with extensions not conforming to established electrical installation regulations.

3.4 Hydraulic connection

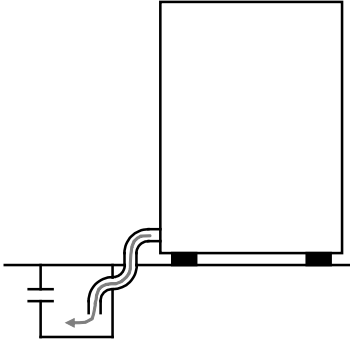


The appliance must be connected to its water supply with a flexible hose. A shut off valve (cock) must be installed between the water supply line and the appliance's solenoid valve. The cock must be close to the appliance.

- The water supply, temperature and pressure **must be compatible** with the ratings shown on the technical data plate on the machine.
- Make sure that the water supply flow rate is no less than 20 l/min.
- If the water hardness is greater than 14 °f (8 °dH), we recommend using an internal water softener. If the water hardness is greater than 35 °f (19.5 °dH), install an external water softener upline of the solenoid valve.
- For machines without water softener: if the water hardness is greater than 14 °f (8 °dH), install an external water softener upline of the solenoid valve.
- If the water has a very high residual concentration of high conductivity minerals, we recommend installing a demineralisation system.

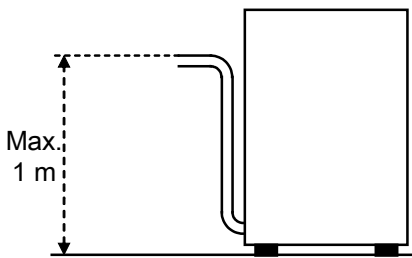
- Machines intended for use with desalinated water or in any case with high sodium chloride concentration must be ordered specifically, as they require specific construction materials
- Do not supply fully demineralised water to machines with a heat recovery unit with batteries with copper pipes. In this case, request the version with batteries with stainless steel pipes.

3.5 Connection to the drain line



- The drain line must consist of a free drain sump with siphon suited to the flow capacity of the drain hose supplied with the appliance. The hose must be able to reach the sump without stretching, restriction, folding, crushing, pressing or forcing in any way.
- The tub drains under gravity, so the drain sump must be lower than the machine's base.

Free drain



- If the drain is not lower than the base of the appliance, you can use the version with drain pump (available on request).
- In this case, the drain connection may be no higher than 1 m.
- Always check that the drain works properly and is not blocked.
- Any other solution must be approved by the manufacturer in advance.

With drain pump (available on request)

3.6 Rinse aid and detergent

- The rinse aid and detergent are dispensed by the machine's integral dispenser (depending on model).
- The dose is set by the installer in relation to the hardness of the water, and he also calibrates the dispensers themselves.
- Before calibrating them, fill the dispenser supply tubes with their respective product.
- The units are calibrated with the adjuster screws, or directly with the control panel (as applicable).
- The level of fluid in the container must be sufficient for priming; do not allow it to drain completely or top it up with corrosive or impure product.

NEVER use CHLORINE or HYPOCHLORITE based detergents.

We recommend installing an automatic detergent dispenser.

Referring to (Fig. 1):

1	ON/OFF BUTTON	5	INFORMATION DISPLAY
2	SPECIAL PROGRAMME SELECTION BUTTON	6	STATUS BAR (LED)
3	PROGRAMME SELECTION BUTTON	7	CHECK BAR (LED)
4	START BUTTON		

4.2 Switching the dishwasher on

Referring to (Fig. 2):

- Turn on the main power switch and open the external water tap.
- Check that an overflow is present, if required.
- Press **ON/OFF (1)**.
- The **CHECK BAR (7)** lights up, turning from red to green to confirm the check.

In the event of a serious fault, the led bar lights up in red and stops the machine operation; a minor error is indicated in orange, and will not stop the machine cycle.

- Loading begins automatically when the machine is switched on.
- The point on the display flashes until the level is reached.
- The **STATUS BAR (6)** lights up from the top downwards to indicate that the dishwasher is heating up.
- When the working temperature is reached, the **STATUS BAR (6)** stays on, lit in green.
- The optimal wash conditions have been reached.

4.3 Filling the rack

Referring to (Fig. 3), to ensure the correct operation of the dishwasher, follow the rules described below:

- Use a suitable rack, fill without overloading and without overlapping the dishes.
- Always wipe the dishes before placing in the dishwasher; do not put dishes with dry or solid residues in the washer.
- Place the empty dishes in the rack facing downwards.
- Place plates and the like in the sloping rack, with the inner surface facing upwards.
- Place the cutlery in the cutlery basket, handle end down.
- Do not place silver and stainless steel cutlery in the same cutlery basket as this will turn the silver brown and may corrode the steel.
- Wash the dishes immediately after use, in order to prevent any residue from hardening and sticking on them.
- Use only solid, dishwasher-proof dishes.

4.4 Cycle selection and start-up

- Press the **PROGRAMME SELECTION (3)** or **SPECIAL PROGRAMME SELECTION (2)** button repeatedly to select a wash cycle that is suitable for the dishes to be washed; the display will show the cycle number selected (Fig. 4).
- To run the programme, press **START (4)**; the **STATUS BAR (6)** starts to flash orange, increasing from the bottom upwards to indicate the progression of the cycle.
- When the cycle is finished, the bar lights up in green (Fig. 5).
- For rapid drying, remove the rack from the machine as soon as the cycle finishes.
- To stop a wash cycle early, press the **START (4)** button.

N. B. In hood versions, after the first work cycle the automatic start is automatically enabled; the subsequent cycles will be enabled automatically when the hood is closed. This operating mode is marked on the display by “AS”.

4.5 Programmes and Special Programmes

Pr1	Lightly soiled dishes, short wash programme.
Pr2	Averagely soiled dishes, medium wash programme.
Pr3	Heavily soiled dishes, long wash programme.
Pr6	ECO cycle.
CLE1	Drain and self-cleaning cycle to be used at the end of working day.
CLE2	Intensive drain and self-cleaning cycle to be used at the end of working day.
rEFr	Recommended when you wish to wash with a total change of water in the washing tub, so suitable for consecutive washes of particularly greasy and dirty dishes. The complete change of the water in the tub requires a longer wash cycle.
dr	Drain cycle.
bot1	Bottle rinse programme, for water bottles.
bot2	Bottle wash programme.
CUP1	Mug and cup wash programme.
GLS1	Intensive glass wash programme.
GLS2	Standard glass wash programme.
GLS3	Gentle glass wash programme.
Long	This is an extended cycle; the duration varies according to the model. The cycle duration may be varied as required by pressing START (4) any time during the wash, to interrupt the wash phase and start the rinse phase.
A030	Recommended when the dishes to be washed also have to be sanitised. This programme controls the wash temperature and time calculating the constant A0. The programme ends when the A0 value equals 30. The length of the programme is variable, but is generally around 20 minutes and the wash temperature reaches approximately 70 C°. N. B. If you require an A0 value other than 30, contact an authorised technician, who will modify the machine software for you.
Pt1	Pot wash programme.
PLA1	Plastic dish wash programme.

Caution:

Programmes and Special Programmes may vary according to the dishwasher model.

4.6 Automatic cycle start-up

This function is used to make the chosen cycle start automatically when the door is closed. To enable, proceed as follows (**Fig. 6**):

- If not made available by default, the function must first be enabled via the settings menu.
- With the appliance on and the door open, press and hold (for at least 5 seconds) the **START (4)** button until **AS** shows on the display.
- To disable the function, with the door open press **START (4)** again for five seconds.

4.7 Removing the integral filter

- Move the washing and rinsing arms at right angles to the edge of the door (**Fig. 7**).
- Lift each semi-filter by the relative handle.

4.8 Emptying the dishwasher

4.8.1 Appliances with no drain pump

- Switch the dishwasher off.
- If present, remove the integral filter (**Fig. 7 A**).
- Pull up and remove the overflow pipe (**Fig. 8 B**).
- Wait for the tub to empty completely.
- If necessary, extract the tub filter and clean it (**Fig. 8 C**).

4.8.2 Appliances with drain cycle (*optional)

- If present, remove the integral filter (**Fig. 7 A**).
- If present, remove the overflow pipe by pulling it upwards (**Fig. 9**).
- Close the door.
- Select cycle **dr**.
- Press **START (4)** to start the cycle.
- The machine runs a drain cycle with self-cleaning (*where foreseen) and then switches off.
- If necessary, extract the tub filter and clean it (**Fig. 8 C**).

4.9 Turning the dishwasher off

- Press **ON/OFF (1)**, on the **DISPLAY (5)** the central segments will light up, indicating that the machine is powered (**Fig. 1**).

4.10 Resin regeneration (*optional)

4.10.1 Automatic water softener

In machines fitted with water softener, when the warning **SALt** appears, you should add salt to the relative container; proceed as follows:

- Remove the rack from the machine.
- Remove the integral filter (**Fig. 7**).
- Unscrew the cap on the salt container (**Fig. 11**).
- Fill the tank with regeneration salt, using the funnel provided. (when filling for the first time, fill the tank firstly with water).
- Close the container firmly.
- Rinse the area around the salt cap by hand and run a self-cleaning cycle to prevent possible corrosion issues.
- The warning **SALt** will disappear after a few minutes.

The warning **reG** on the display indicates that the machine is running a resin regeneration cycle, which is necessary for the water softener to work correctly; while this warning is shown, cycles that have been started could run longer than usual.

N.B. Do not switch off the machine if a regeneration cycle is underway.

4.10.2 Manual water softener

When **rEG** flashes on the display in appliances with internal water softener, run a regeneration cycle to restore proper operation of the internal water softener:

- Remove the rack from the machine.
- Remove the integral filter (**Fig. 7**).
- Unscrew the cap on the salt container (**Fig. 11**).
- Fill the tank with regeneration salt, using the funnel provided. (when filling for the first time, fill the tank firstly with water).
- Close the container firmly.
- Rinse the area around the salt cap by hand and run a self-cleaning cycle to prevent possible corrosion issues.
- Make sure the overflow has been removed.
- Close the door and switch the dishwasher on.
- Press the **PROGRAMME SELECTION (3)** button for the resin regeneration cycle; **rEG** will appear on the display.
- Press the **START button (4)** to start a cycle.
- The regeneration cycle lasts around 20 minutes.
- The dishwasher will switch off when the cycle has completed.

N.B. Do not switch off the machine if a regeneration cycle is underway.

4.11 List of viewable messages

door	Door open	AS	Automatic start enabled
Lood	Water loading	End	End of cycle
b	Rinse temperature	nodt	No detergent
t	Wash temperature	nobl	No rinse aid
rEG	Regeneration system on	CH	Menu key
SALt	No salt in the softener	Fu	Firmware revision
Cy	Number of cycles carried out	Su	Software code

4.12 End of shift

- At the end of the day, always drain the machine as described in section **4.8 Emptying the dishwasher**.
- Disconnect the power supply by means of the main switch and close the external water cock.
- Perform routine maintenance and clean the machine as described in section **CHAP 5 MAINTENANCE**.
- If possible, leave the door ajar to prevent bad odours building up inside the machine.

CHAP 5 MAINTENANCE

5.1 General rules



Before doing any maintenance, completely drain out all water, shut off the power supply and close the water supply cock.

Do not use water under pressure - it can damage the electrical equipment. Only wash the body panelling when it is cold, using only products specifically designed for steel.

If there is a risk of ice forming, drain the water from the boiler and wash pump.

5.2 Cleaning

To keep the machine in good working order, it must be maintained regularly as explained below. We recommend periodically running a sanitising treatment with suitable non-corrosive commercial products.

5.3 Cleaning the filter unit

Run this procedure at the end of the day or when you see the filters are dirty:

1. Remove and clean the racks.
2. Empty out the tub as explained in section **4.8 Emptying the dishwasher**.
3. Remove and carefully clean all the filters.
4. Do not use abrasive products to clean the tub.
5. Restore all removed parts when finished.

5.4 Cleaning the arms

The wash and rinse arms are easily removed in order to clean their nozzles and prevent blockage/encrustations.

Proceed as follows (**Fig. 10**):

- Remove the spray arms by unscrewing the retaining nuts or by unclipping the quick-fit attachments on machines so equipped.
- Wash all parts under a jet of running water and clean the nozzles thoroughly, using a toothpick or pointed tool if necessary.
- Clean the arm rotation pins inside the machine and the wash and rinse water drainage area.
- Restore the arms and check that they rotate freely.

5.5 Dispensers


To ensure that the dishwasher operates efficiently, the tubes inside the detergent and rinse aid dispensers must be replaced periodically.

The tubes have a service life that can vary depending on the chemicals used.

We recommend that you periodically check the condition of the tubes and plan to replace them at least once a year.

The machine is equipped with a self-diagnosis system that registers and warns of a number of malfunctions.

Fault		Description and possible remedies
	Er01	No rinsing. The rinsing cycle was not completed correctly. Make sure that the rinsing nozzles are clean.
	Er02	No water drained. The water was not drained or drained incorrectly. Check that the drain pipe is not bent or crushed and that the siphon and filters are not blocked. In machines fitted with an overflow pipe, remove this before starting the drainage cycle.
	Er03	Rinse temperature reset fault. The boiler temperature did not reset in the set time during the washing cycle. Switch the machine off and then on and run a new cycle.
SAFE	Er04	Water filling in tank fault. Make sure the pipes are connected correctly, and that the water tap is open. Where foreseen, check the presence of the overflow. Switch the dishwasher off and then on and fill again.
	Er05	Tank thermometer fault. (Probe open) The machine does not read the tank temperature value. Switch the dishwasher off and then on.
	Er06	Tank thermometer fault. (Probe short circuited) The machine does not read the tank temperature value. Switch the dishwasher off and then on.
	Er07	Boiler thermometer fault. (Probe open) The machine does not read the boiler temperature value. Switch the dishwasher off and then on.
	Er08	Boiler thermometer fault. (Probe short circuited) The machine does not read the boiler temperature value. Switch the dishwasher off and then on.
	Er09	Boiler loading timeout: boiler not filled. Impossible to carry out rinse cycle. Check that the water tap is open. Switch the dishwasher off and then on and run a new cycle.
	Er21	Insufficient rinse The right amount of rinsing did not take place; make sure the rinse nozzles are clean. The error does not block the machine.
	Er22	Tank temperature reset fault: The tank temperature did not reset in the set time during the washing cycle. Switch the machine off and then on and run a new cycle.
	Er25	Run external regeneration: The number of litres set for external water treatment equipment has been reached, the error does not prevent dishwasher operation, the message can be reset from the settings in menu 12.
SAFE	ErSF	Electro-mechanical safety device: The boiler or tub safety thermostats have been tripped, or the tub safety pressure switch has been triggered.
	ErSL	Level safety switch: Incorrect water level in the tank.
	Erb	Excessive Boiler Temperature: Probable heating contactor /relay failure
	Ert	Excessive Tub Temperature: Probable heating contactor /relay failure
	drt	Dirty filter: Incorrect water level in tub, caused by dirty filter or poorly inserted overflow.
	ErSI	Supply safety error: Fatal error, contact a technical assistance centre.
	Er98	Soft start error: Soft start system error, contact a technical assistance centre.
	NO SALT	No salt: In dishwashers with water softener, this means that there is no salt. Add salt.

Fault	Description and possible remedies
NO DT	No detergent: Add detergent in the priming tank.
NO BL	No rinse aid: Add rinse aid in the priming tank.
SERV	Maintenance required: General maintenance is required, if pre-set.
REG ON	Regeneration in progress: the regeneration cycle for the water softener resin is underway.
REG REQ	Regeneration Required: Start the regeneration if not automatically scheduled.
Er27	Boiler gradient error: The boiler is not heating correctly.
Er28	Tub gradient error: The tub is not heating correctly.
Er99	Auxiliary board error: Communication with the auxiliary board is not correct.
Er30	<p>Automatic open error: In dishwashers with hood with automatic open, the opening system is not operating correctly.</p> <p>Check that nothing is stopping the hood from opening.</p> <p>If the problem persists, contact a technical assistance centre.</p>
Er31	<p>Automatic close error: In dishwashers with hood with automatic open, the closing system is not operating correctly.</p> <p>Check that nothing is stopping the hood from closing.</p> <p>If the problem persists, contact a technical assistance centre.</p>
Er33	Osmosis with minimum pressure: Check that the water tap is open.
Er34	Osmosis water loss: Close the power and water supply for the dishwasher; contact a technical assistance centre.
Er35	Osmosis conductivity error: Osmosis system does not work properly, contact a technical assistance centre.
Er36	Osmosis filter: The osmosis filter needs to be replaced; contact a technical assistance centre.
Er37	Boiler heating timeout: The rinse water heating element does not work properly, contact a technical assistance centre.
Er38	Tub heating timeout: The wash water heating element does not work properly, contact a technical assistance centre.
Er39	Faulty boiler pressure switch.
Er40	Faulty tank pressure switch.
	<p>Switching the dishwasher off and then on again "resets" the signals, if after carrying out the instructions given the problem persists, contact an Authorised Service Centre.</p>



The following settings should only be configured by a qualified technician.

The parameters listed below can be set during installation or afterwards, accessing the settings menu as follows:

- Machine in standby with door open.
- Press buttons **1** and **2** (**ON/OFF** and **SPECIAL PROGRAMME SELECTION**) simultaneously for 5 seconds and insert key **CH 12** (buttons **3** and **4** to change the parameter, **1** to confirm).
- Then, by repeatedly pressing buttons **1** and **2** you can scroll through the options and activate and/or edit them using buttons **3** and **4** (the edited parameter remains stored with no need to confirm). The list of parameters may vary according to the type of machine.
- If you press and hold button **1**, you can exit programming mode and the change will be saved.

The list of parameters may vary according to the type of machine.

	Language	Select language.
b	Boiler Temperature	Adjust the boiler temperature for programmes. Versions with atmospheric boiler (rinse pump) have different settings for each programme (b1 – b2 – b3).
t	Tank Temperature	Tub temperature regulation for programmes. Versions with rinse pump have different settings for each programme (t1 – t2 – t3)
tH	Thermo – Stop	Activation of ThermoStop function which ensures correct rinse temperature.
ES	Energy Saving	Activation of Energy Saving function which allows energy-savings to be made when the machine is switched on but not in use.
dn	Detergent Pump	Manual operation of detergent dispenser.
bn	Rinse Aid Pump	Manual operation of rinse aid dispenser.
rn	Manual Rinse	Manual operation of rinse pump.
dt	Dosage Detergent	Detergent dosing time.
bl	Dosage Rinse Aid	Rinse aid dosing time.
dH	Water Hardness	Input water hardness setting (machines with water softener): enter the values with reference to the table below.
CC	Set Number Service Cycles	Cycle counter setting and activation to enable the Service alert for an external water softener. The “Service” alert can be cancelled by holding pressed all 3 buttons with the machine off and the door open.
CLS	Water Service Set	Setting of litres of autonomy for external water treatment equipment, adjustment setting from 0 to 12000 litres in steps of 200.
AA	Autostart Autoenabling	Automatic start enabled.
dr	Manual Drain	Manual operation of drain pump.

Once all necessary parameters have been set, to save and exit simply press and hold button 1 until the on-line dashes appear.

7.1 Integrated softener hardness setting

Set the supply water hardness degree, **dH**, in the settings menu as shown in the following table:

Measured hardness		dH	Measured hardness		dH
°fr	dGH	n°	°fr	dGH	n°
0 ÷ 20	0 ÷ 11	1	41 ÷ 45	23 ÷ 25	6
21 ÷ 25	12 ÷ 14	2	46 ÷ 50	26 ÷ 28	7
26 ÷ 30	15 ÷ 17	3	51 ÷ 55	29 ÷ 31	8
31 ÷ 35	17 ÷ 20	4	56 ÷ 60	31 ÷ 34	9
36 ÷ 40	20 ÷ 22	5			

CHAP 8 SCRAPPING

Our machines do not contain materials requiring special handling.

N.B. (Applicable in the EU and countries with sorted waste disposal).

The **WEEE** mark applied to the product or its documentation indicates that it must not be scrapped with domestic waste when it reaches the end of its service life. To prevent damage to the environment or health risks due to improper scrapping, keep this product separate from other waste and recycle it so as to promote sustainable use of materials.

Corporate users are requested to contact their supplier and check the terms and conditions of the purchase contract.

The product may not be scrapped together with other commercial waste.

	Symbols	Object	Material	%
Can be recycled directly		Sheet	Steel	80
		Cardboard packaging	PAP	
		Wooden pallet	ISPM15	
		Plastic parts	PP, PP+FV	
Compounds		Motors	Assemblies	20
		Electric parts		
		Electronic parts		
	Rubber parts	EPDM		

CHAP 9 ENVIRONMENT**9.1 Respect for the environment**

Proper use of the dishwasher can improve its environmental footprint, if the following simple rules are observed:

- Only wash full racks.
- Switch the dishwasher off when not using it.
- Keep the machine closed when it is in standby.
- Use wash programmes suited to the amount of soiling.
- Supply the machine with hot water, if gas heated.
- Make sure the drains flow into a suitable sewer.
- Do not exceed the recommended dose of detergent.